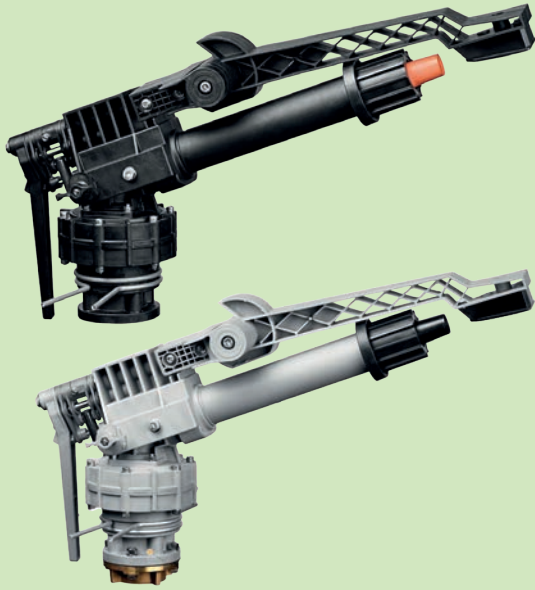


Trigon 112 / 105



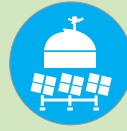
Dust
Suppression



Heap
Leaching



Waste Water
Reuse



Cleaning &
Cooling

Features & Benefits



Unique Vari-Angle System

This easy to adjust device is used to adapt the stream trajectory to the required application. Lowering the trajectory angle increases the efficiency of irrigation in windy conditions and reduces odors in wastewater disposal applications. It also helps to avoid obstacles, i.e. powerlines etc.



Innovative Drive and Part Circle Mechanism

The drive arm and the part circle mechanism are strategically placed to avoid a build-up of solids which could cause a malfunction of the gun.



Hydraulically Designed Barrel and Taper Bore Nozzle

Excellent hydraulic design, large barrel cross section and full size taper bore nozzle allows for maximum possible throw and performance.



Fingertip Adjustment

User friendly for fingertip adjustment to part circle mechanism

Trigon 112 / 105

Additional Features

- Trigon is designed to cover a wide range of operating conditions in a variety of waste-water applications and in the mining industry.
- It is reliable by design and built to last!
- Trigon again sets the standard for innovation in big volume guns regarding flexibility in operation, reliability, performance and overall product quality.
- The Trigon is made of high performance materials with following features:
 - Excellent distribution
 - Great reliability in operation
 - High tolerance to poor water quality
 - Low pressure application
 - No lubrication

Application

- The Trigon 112 is the only big volume gun specifically engineered for leach mining applications. Materials and components are carefully selected in order to withstand the corrosive medias used. It allows to safely leach side slopes of heaps otherwise unaccessible, maximizing the result of the leaching process. On flat leach terrain, the use of the Trigon reduces labor.
- The Trigon 105 was designed for specific waste-water applications. It features a free flow passage to prevent clogging of liquids containing suspended particles. Most common applications are: municipality waste-water systems, effluent waters from food processing plants, treated manure, sugar factories and many others. It is also salt water resistant, for applications in more aggressive chemical conditions.

Trigon 112 / 105



Specification

- Discharge: 2.17 to 15.06 lps
- Wetted Radius: 22.1 to 52.4 m
- Operating Pressure: 2 to 6 Kg/cm²
- Inlet Connection: 2" female Threaded
- Usability: Raingun Assembly

Technical Specifications

TRIGON -Trajectory 24°

P	Nozzle													
	Ø12 mm		Ø14 mm		Ø16 mm		Ø18 mm		Ø20 mm		Ø22 mm		Ø24 mm	
	Q	R	Q	R	Q	R	Q	R	Q	R	Q	R	Q	R
(kg/cm ²)	(lps)	(m)	(lps)	(m)	(lps)	(m)	(lps)	(m)	(lps)	(m)	(lps)	(m)	(lps)	(m)
2.00	2.17	22.1	2.96	24	3.86	25.0	4.89	26.0	6.04	27.6	7.30	28.6	8.69	29.4
2.50	2.43	24.5	3.31	26.4	4.32	27.8	5.47	29.3	6.75	31.3	8.17	32.4	9.72	33.6
3.00	2.66	26.0	3.62	28.1	4.73	30.0	5.99	32.0	7.39	34.3	8.95	35.5	10.65	37.3
3.50	2.87	27.5	3.91	29.6	5.11	32.3	6.47	34.6	7.99	36.9	9.66	38.4	11.50	40.8
4.00	3.07	28.8	4.18	31.2	5.46	33.9	6.91	36.9	8.54	39.4	10.33	41.2	12.29	44.0
4.50	3.26	29.9	4.44	32.6	5.80	35.8	7.33	38.9	9.05	41.7	10.96	43.8	13.04	46.4
5.00	3.44	31.0	4.68	34.0	6.11	37.4	7.73	40.5	9.54	43.7	11.55	46.0	13.74	48.5
5.50	3.60	31.9	4.91	35.1	6.41	38.7	8.11	42.3	10.01	45.6	12.11	48.2	14.42	50.6
6.00	3.76	33.1	5.12	36.2	6.69	39.9	8.47	43.8	10.46	47.4	12.65	50.1	15.06	52.4

Note: Sprinklers are tested under standard test conditions. P = Pressure; Q = Discharge; R = Radius

The Performance data are based on ideal test conditions and may be adversely affected by wind, poor hydraulic entrance.

* The pressure refers to pressure at nozzle.

Ordering Specifications

	X	XXX
	Model	Nozzle Size
TRG 112		N12 - 12mm; N14 - 14mm
TRG 105	P - Part Circle F - Full Circle	N16 - 16mm; N18 - 18mm N20 - 20mm; N22 - 22mm N24 - 24mm

Example: TRG105PN12 -This code represents High-Tech Big Volume Trigon 105, Part Circle model with 12mm nozzle size.

Note: If required additional nozzles can be supplied as a special order. Please specify nozzle number while ordering.