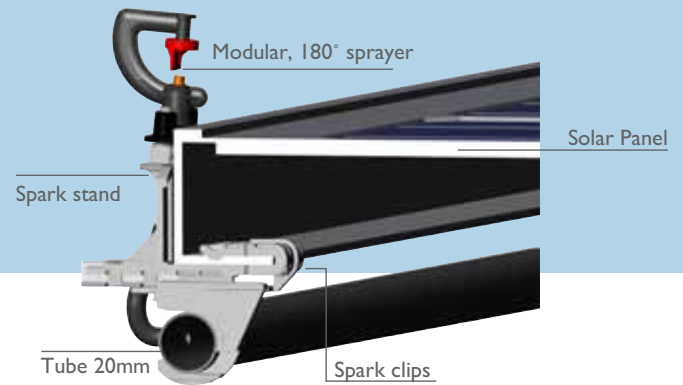


NEW

SPARK SOLAR PANEL CLEANING PAT.PEND

A unique system for cleaning and washing solar panels - ensures optimal efficiency and energy production.

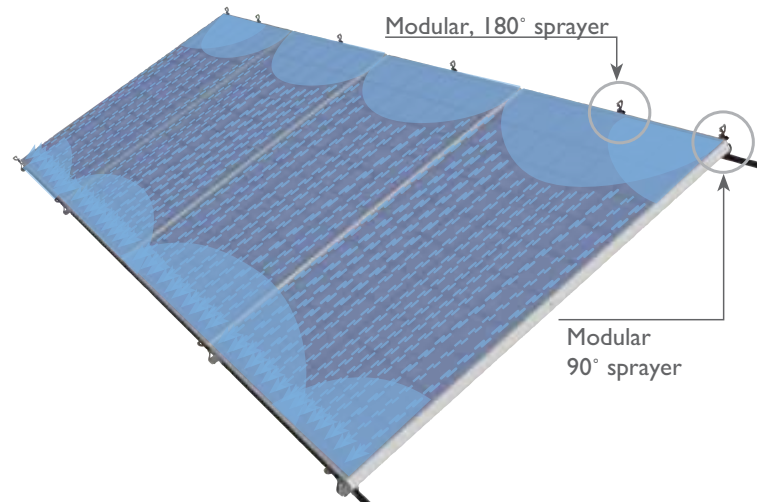


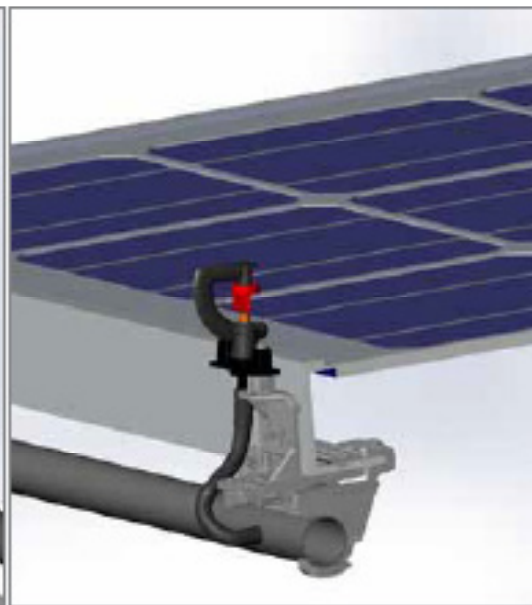
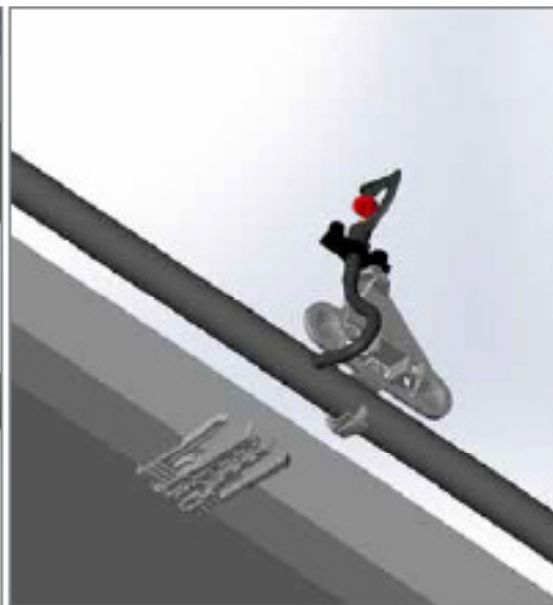
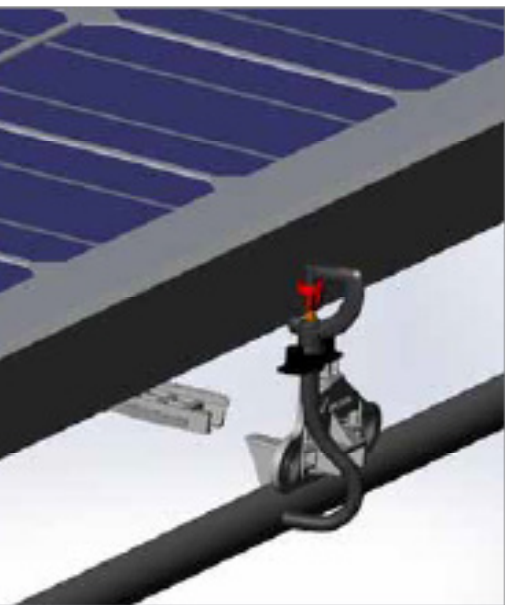
Applications:

Solar panel washing, increasing solar efficiency

Structure and features:

- Two kinds of water distribution for best coverage of the area.
- Non-rotating parts for long life span even in heavy conditions, such as high temperatures, wind and dust.
- Unique stand fits most panels in the market.
- The stand maintains steady, well-aligned micro washers on the panels for optimal cleaning.
- The stand ensures zero vibration of the Solar Panel Cleaning Unit.
- Optimal water coverage of the panel.
- All components are modular and easy to assemble without a need for special tools.
- Easy, user-friendly assembling and dismantling of the stand on the panel.





Te; : +91-257-2258011; Fax: +91-257- 2258111;
Toll Free : 1800 599 5000
Email: jjisl@jains.com; Visit us @www.jains.com