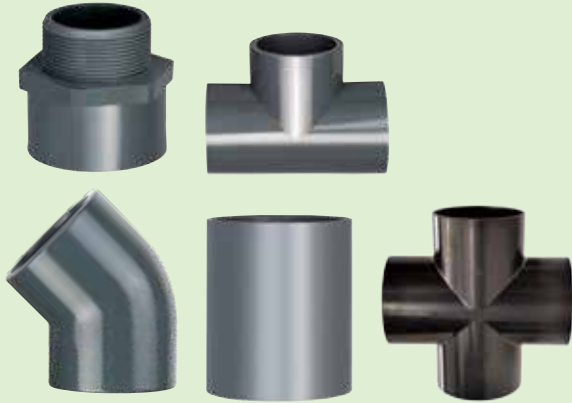


PVC Fittings

Smooth Wall Closed Conduit

Injection Moulded Fittings LP/HP



Fabricated Fittings



Features & Benefits

high quality uPVC Compound.

Manufactured from high quality uPVC compound.



Smooth Inner Wall

Smooth inner wall minimizes frictional losses and due to precipitation

Corrosion and Chemical Resistance

Excellent corrosion and chemical resistance to most acidic and alkaline solutions.



Various Range

Injection Moulded Fittings
Ø 20 mm to Ø 200 mm

Fabricated Fittings -
Ø 20 mm to Ø 630 mm

Available in Various Pressure Rating and Standards

Injection Moulded Fittings
IS7834, DIN 8063
Fabricated Fittings
IS 10124

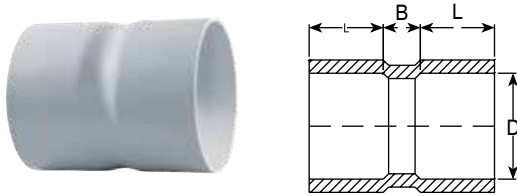


Advance Manufacturing Technology

Advance manufacturing technology and our experience bring the quality products in the market

PVC Pipe & Fittings - Fabricated

Coupler

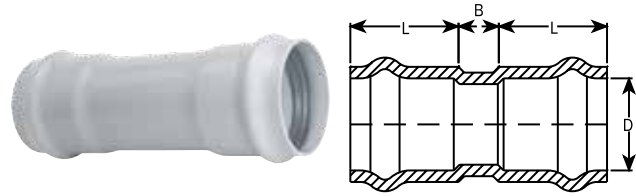


Code	ND	B	L
PVFCS02010	20	20	16.0
PVFCS02510	25	20	19.0
PVFCS03210	32	20	22.0
PVFCS04010	40	20	26.0
PVFCS05010	50	20	31.0
PVFCS06310	63	20	37.5
PVFCS07510	75	20	43.5
PVFCS09010	90	35	51.0
PVFCS11010	110	35	61.0
PVFCS12510	125	35	68.5
PVFCS14010	140	45	76.0
PVFCS16010	160	45	86.0
PVFCS18010	180	45	96.0
PVFCS20010	200	45	106.0
PVFCS22510	225	55	118.5
PVFCS25010	250	55	131.0
PVFCS28010	280	55	146.0
PVFCS31510	315	55	163.5
PVFCS35510	355	65	183.5
PVFCS40010	400	65	206.0
PVFCS45010	450	65	231.0
PVFCS50010	500	65	256.0

Note: All dimensions are in mm

Note: All fabricated fittings are available in 10 kg/cm² pressure rating. Please specify other pressure ratings as per the requirement viz. 04, 06, 08, 12.5 kg/cm².

Quick-Fix Coupler



Code	ND	B	L
PVFCQ06310	63	250	107.0
PVFCQ07510	75	250	112.0
PVFCQ09010	90	250	118.0
PVFCQ11010	110	250	127.0
PVFCQ12510	125	250	133.0
PVFCQ14010	140	270	139.0
PVFCQ16010	160	270	146.0
PVFCQ18010	180	290	156.0
PVFCQ20010	200	320	164.0
PVFCQ22510	225	320	175.0
PVFCQ25010	250	350	185.0
PVFCQ28010	280	350	198.0
PVFCQ31510	315	430	215.0
PVFCQ35510	355	430	230.0
PVFCQ40010	400	450	242.0
PVFCQ50010	500	550	279.0

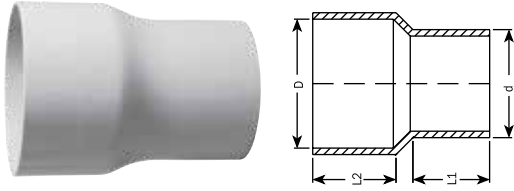
Note: All dimensions are in mm

Note: All fabricated fittings are available in 10 kg/cm² pressure rating.

Please specify other pressure ratings as per the requirement viz. 04, 06, 08, 12.5 kg/cm².

PVC Pipe & Fittings - Fabricated

Reducer-Single Stage-Concentric

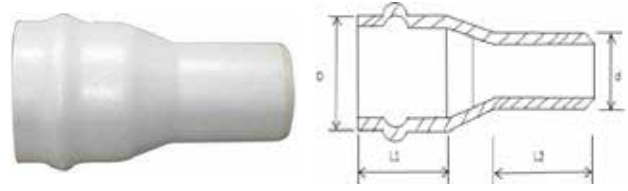


Code	Size	ND	d	L1	L2
PVFRS063x050X10	63x50	63	50.0	35	37.5
PVFRS075x063X10	75x63	75	63.0	42	43.5
PVFRS090x075X10	90x75	90	75.0	48	51.0
PVFRS110x090X10	110x90	110	90.0	55	61.0
PVFRS125x110X10	125x110	125	110.0	65	68.5
PVFRS140x125X10	140x125	140	125.0	73	76.0
PVFRS160x140X10	160x140	160	140.0	80	86.0
PVFRS180x160X10	180x160	180	160.0	90	96.0
PVFRS200x180X10	200x180	200	180.0	100	106.0
PVFRS225x200X10	225x200	225	200.0	110	118.5
PVFRS250x225X10	250x225	250	225.0	123	131.0
PVFRS280x250X10	280x250	280	250.0	135	146.0
PVFRS315x280X10	315x280	315	280.0	150	163.5
PVFRS355x315X10	355x315	355	315.0	168	183.5
PVFRS400x355X10	400x355	400	355.0	188	206.0
PVFRS450x400X10	450x400	450	400.0	210	231.0
PVFRS500x450X10	500x450	500	450.0	235	256.0

Note : *All dimensions are in mm*

Note: All fabricated fittings are available in 10 kg/cm² pressure rating. Please specify other pressure ratings as per the requirement viz. 04, 06, 08, 12.5 kg/cm².

Quick Fix Reducer



Code	Size	L1 (Min)	L2 (Min)
	mm	mm	mm
PVFRSQ075X063X08	75 X 63	113	157
PVFRSQ090X075X08	90 X 75	120	163
PVFRSQ110X090X08	110 X 90	128	170
PVFRSQ125X110X08	125 X 110	134	178
PVFRSQ140X125X08	140 X 125	140	184
PVFRSQ160X140X08	160 X 140	150	190
PVFRSQ180X160X08	180 X 160	157	200
PVFRSQ200X180X08	200 X 180	165	217
PVFRSQ225X200X08	225 X 200	176	225
PVFRSQ250X225X08	250 X 225	185	236
PVFRSQ280X250X08	280 X 250	201	245
PVFRSQ315X280X08	315 X 280	213	261

Note : *All dimensions are in mm*

Note: All fabricated fittings are available in 8 kg/cm² pressure rating. Please specify other pressure ratings as per the requirement viz. 06, 10, 12.5 kg/cm².

Reducer-Multi Stage-Concentric



Code	Size	D	d	L1	L2
PVFRS110X063X06	110X063	110	063	42	61
PVFRS125X090X06	125X090	125	090	55	68.5
PVFRS140X090X06	140X090	140	090	55	76
PVFRS160X063X06	160X063	160	063	42	86
PVFRS160X075X06	160X075	160	075	48	86
PVFRS180X063X06	180X063	180	063	42	96
PVFRS180X090X06	180X090	180	090	55	96
PVFRS200X063X06	200X063	200	063	42	106
PVFRS200X090X06	200X090	200	090	55	106
PVFRS200X110X06	200X110	200	110	65	106
PVFRS225X063X06	225X063	225	063	42	118.5
PVFRS225X075X06	225X075	225	075	48	118.5
PVFRS225X090X06	225X090	225	090	55	118.5
PVFRS250X075X06	250X075	250	075	48	131
PVFRS250X090X06	250X090	250	090	55	131
PVFRS250X110X06	250X110	250	110	65	131
PVFRS280X075X06	280X075	280	075	48	146
PVFRS280X090X06	280X090	280	090	55	146

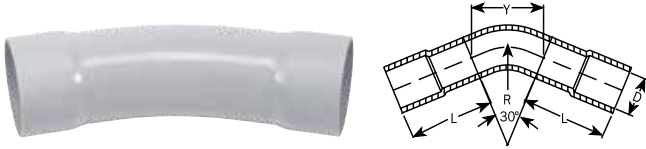
Code	Size	D	d	L1	L2
PVFRS315X090X06	315X090	315	090	55	163.5
PVFRS315X110X06	315X110	315	110	65	163.5
PVFRS315X125X06	315X125	315	125	73	163.5
PVFRS355X160X06	355X160	355	160	90	183.5
PVFRS355X200X06	355X200	355	200	110	183.5
PVFRS355X225X06	355X225	355	225	123	183.5
PVFRS400X110X06	400X110	400	110	65	206
PVFRS400X125X06	400X125	400	125	73	206
PVFRS400X140X06	400X140	400	140	80	206
PVFRS450X200X06	450X200	450	200	110	231
PVFRS450X225X06	450X225	450	225	123	231
PVFRS500X200X06	500X200	500	200	110	256
PVFRS500X225X06	500X225	500	225	123	256

Note : *All dimensions are in mm*

Note: All fabricated fittings are available in 06 kg/cm² pressure rating. Please specify other pressure ratings as per the requirement viz. 08, 10, 12.5 kg/cm².

PVC Pipe & Fittings - Fabricated

Solvent Cement Bend 30°



Code	ND	Y	L	R
PVFB30020X10	20	32	20	60
PVFB30025X10	25	40	25	75
PVFB30032X10	32	51	32	96
PVFB30040X10	40	63	40	120
PVFB30050X10	50	79	50	150
PVFB30063X10	63	99	63	189
PVFB30075X10	75	118	75	225
PVFB30090X10	90	142	90	270
PVFB30110X10	110	173	110	330
PVFB30125X10	125	197	125	375
PVFB30140X10	140	220	140	420
PVFB30160X10	160	252	160	480

Code	ND	Y	L	R
PVFB30180X10	180	283	180	540
PVFB30200X10	200	314	200	600
PVFB30225X10	225	354	225	675
PVFB30250X10	250	393	250	750
PVFB30280X10	280	440	280	840
PVFB30315X10	315	495	315	945
PVFB30355X10	355	558	355	1065
PVFB30400X10	400	628	400	1200
PVFB30450X10	450	707	450	1350
PVFB30500X10	500	785	500	1500
PVFB30560X10	560	880	560	1680

Note: • All dimensions are in mm. • All fabricated fittings are available in 10 kg/cm² pressure rating. Please specify other pressure ratings as per the requirement viz. 04, 06, 08, 12.5 kg/cm².

Quick-fix Bend 30°



Code	ND	Y	L	R
PVFBQ30063X10	63	99	133.0	189
PVFBQ30075X10	75	118	143.5	225
PVFBQ30090X10	90	142	157.0	270
PVFBQ30110X10	110	173	176.0	330
PVFBQ30125X10	125	197	189.5	375
PVFBQ30140X10	140	220	203.0	420
PVFBQ30160X10	160	252	220.0	480
PVFBQ30180X10	180	283	240.0	540
PVFBQ30200X10	200	314	258.0	600
PVFBQ30225X10	225	354	281.5	675
PVFBQ30250X10	250	393	304.0	750
PVFBQ30280X10	280	440	332.0	840
PVFBQ30315X10	315	495	366.5	945
PVFBQ30355X10	355	558	400.5	1065
PVFBQ30400X10	400	628	436.0	1200
PVFBQ30500X10	500	785	523	1500

Note: *All dimensions are in mm*
Also we can provide one side socket 6,8,12.5 kg



PVC Pipe & Fittings - Fabricated

Solvent Cement Bend 45°



Code	ND	Y	L	R
PVFBS45020X10	20	48	20	60
PVFBS45025X10	25	59	25	75
PVFBS45032X10	32	75	32	96
PVFBS45040X10	40	95	40	120
PVFBS45050X10	50	118	50	150
PVFBS45063X10	63	149	63	189
PVFBS45075X10	75	177	75	225
PVFBS45090x10	90	212	90	270
PVFBS45110X10	110	259	110	330
PVFBS45125X10	125	295	125	375
PVFBS45140X10	140	330	140	420
PVFBS45160X10	160	377	160	480
PVFBS45180X10	180	424	180	540
PVFBS45200X10	200	471	200	600
PVFBS45225X10	225	530	225	675
PVFBS45250X10	250	589	250	750
PVFBS45280X10	280	660	280	840
PVFBS45315X10	315	742	315	945
PVFBS45355X10	355	837	355	1065
PVFBS45400X10	400	842	400	1200
PVFBS45450X10	450	1070	450	1350
PVFBS45500X10	500	1178	500	1500
PVFBS45560X10	560	1319	560	1680

Note: • All dimensions are in mm. • All fabricated fittings are available in 10 kg/cm² pressure rating. Please specify other pressure ratings as per the requirement viz. 04, 06, 08, 12.5 kg/cm².

Quick-fix Bend 45°



Code	ND	Y	L	R
PVFBQ45063X10	63	149	133.0	189
PVFBQ45075X10	75	177	142.5	225
PVFBQ45090X10	90	212	157.0	270
PVFBQ45110X10	110	259	176.0	330
PVFBQ45125X10	125	295	189.5	375
PVFBQ45140X10	140	330	203.0	420
PVFBQ45160X10	160	377	220.0	480
PVFBQ45180X10	180	424	240.0	540
PVFBQ45200X10	200	471	258.0	600
PVFBQ45225X10	225	530	281.5	675
PVFBQ45250X10	250	589	304.0	750
PVFBQ45280X10	280	660	332.0	840
PVFBQ45315X10	315	742	366.5	945
PVFBQ45355X10	355	837	400.5	1065
PVFBQ45400X10	400	842	436.0	1200
PVFBQ45500X10	500	1178	523.0	1520

Note: *All dimensions are in mm*

Also we can provide one side socket 6,8,12.5 kg

PVC Pipe & Fittings - Fabricated

Solvent Cement Bend 60°



Code	ND	Y	L	R
PVFS60020X10	20	63	20	60
PVFS60025X10	25	79	25	75
PVFS60032X10	32	101	32	96
PVFS60040X10	40	126	40	120
PVFS60050X10	50	158	50	150
PVFS60063X10	63	198	63	189
PVFS60075X10	75	236	75	225
PVFS60090X10	90	283	90	270
PVFS60110X10	110	346	110	330
PVFS60125X10	125	393	125	375
PVFS60140X10	140	440	140	420
PVFS60160X10	160	503	160	480
PVFS60180X10	180	566	180	540
PVFS60200X10	200	629	200	600
PVFS60225X10	225	707	225	675
PVFS60250X10	250	786	250	750
PVFS60280X10	280	880	280	840
PVFS60315X10	315	990	315	945
PVFS60355X10	355	1115	355	1065
PVFS60400X10	400	1256	400	1200
PVFS60450X10	450	1413	450	1350
PVFS60500X10	500	1570	500	1500

Note: • All dimensions are in mm. • All fabricated fittings are available in 10 kg/cm² pressure rating. Please specify other pressure ratings as per the requirement viz. 04, 06, 08, 12.5 kg/cm².

Quick-fix Bend 60°



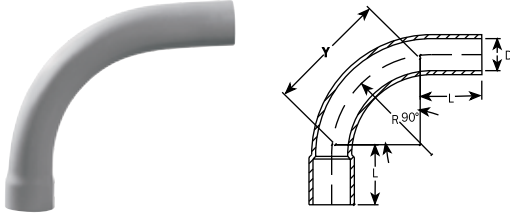
Code	ND	Y	L	R
PVFBQ60063X10	63	198	133.0	189
PVFBQ60075X10	75	236	142.5	225
PVFBQ60090X10	90	283	157.0	270
PVFBQ60110X10	110	346	176.0	330
PVFBQ60125X10	125	393	189.5	375
PVFBQ60140X10	140	440	203.0	420
PVFBQ60160X10	160	503	220.0	480
PVFBQ60180X10	180	566	240.0	540
PVFBQ60200X10	200	629	258.0	600
PVFBQ60225X10	225	707	281.5	675
PVFBQ60250X10	250	786	304.0	750
PVFBQ60280X10	280	880	332.0	840
PVFBQ60315X10	315	990	366.5	945
PVFBQ60355X10	355	1115	400.5	1065
PVFBQ60400X10	400	1256	436.0	1200
PVFBQ60500X10	500	1570	523.0	1500

Note: *All dimensions are in mm*

Also we can provide one side socket 6,8,12.5 kg

PVC Pipe & Fittings - Fabricated

Solvent Cement Bend 90°

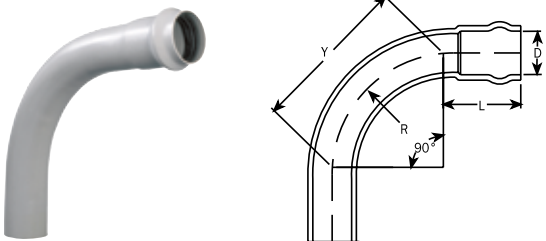


Code	ND	Y	L	R
PVFBFS90020X10	20	95	20	60
PVFBFS90025X10	25	118	25	75
PVFBFS90032X10	32	151	32	96
PVFBFS90040X10	40	189	40	120
PVFBFS90050X10	50	236	50	150
PVFBFS90063X10	63	297	63	189
PVFBFS90075X10	75	354	75	225
PVFBFS90090X10	90	424	90	270
PVFBFS90110X10	110	519	110	330
PVFBFS90125X10	125	589	125	375
PVFBFS90140X10	140	660	140	420
PVFBFS90160X10	160	754	160	480

Code	ND	Y	L	R
PVFBFS90180X10	180	848	180	540
PVFBFS90200X10	200	942	200	600
PVFBFS90225X10	225	1060	225	675
PVFBFS90250X10	250	1178	250	750
PVFBFS90280X10	280	1319	280	840
PVFBFS90315X10	315	1484	315	945
PVFBFS90355X10	355	1673	355	1065
PVFBFS90400X10	400	1884	400	1200
PVFBFS90450X10	450	2120	450	1350
PVFBFS90500X10	500	2355	500	1500

Note: • All dimensions are in mm. • All fabricated fittings are available in 10 kg/cm² pressure rating. Please specify other pressure ratings as per the requirement viz. 04, 06, 08, 12.5 kg/cm².

Quick-fix Bend 90°

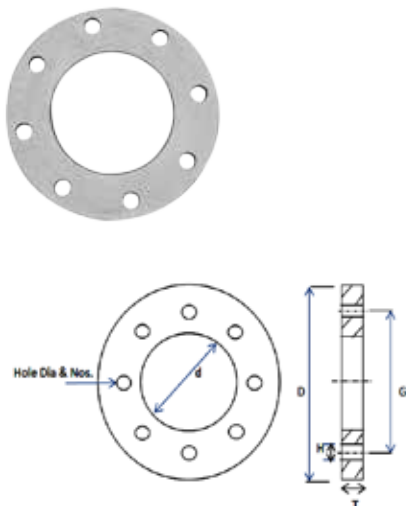


Code	ND	Y	L	R
PVFBQ90063X10	63	297	133.0	189
PVFBQ90075X10	75	354	142.5	225
PVFBQ90090X10	90	424	157.0	270
PVFBQ90110X10	110	519	176.0	330
PVFBQ90125X10	125	589	189.5	375
PVFBQ90140X10	140	660	203.0	420
PVFBQ90160X10	160	754	220.0	480
PVFBQ90180X10	180	848	240.0	540
PVFBQ90200X10	200	942	258.0	600
PVFBQ90225X10	225	1060	281.5	675
PVFBQ90250X10	250	1178	304.0	750
PVFBQ90280X10	280	1319	332.0	840
PVFBQ90315X10	315	1484	366.5	945
PVFBQ90355X10	355	1673	400.5	1065
PVFBQ90400X10	400	1884	436.0	1200
PVFBQ90500X10	500	2355	523.0	1500

Note: *All dimensions are in mm*
Also we can provide one side socket 6,8,12.5 kg

PVC Pipe & Fittings - Fabricated

Slip on Flange

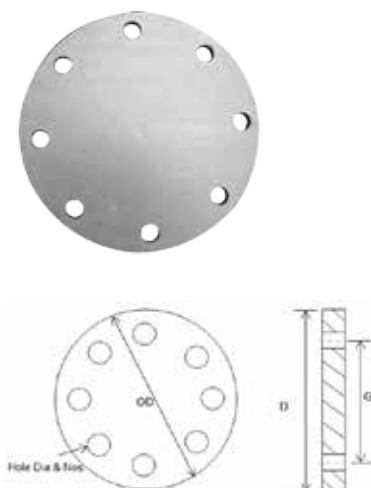


CODE	SIZE	DIA G (PCD)	DIA D (O.D)	DIA d (I.D)	T (THICK.)	DIA H (HOLE DIA)	NO OF HOLE
CIF63	63	125	165	64+1.0	7	19	4
CIF75	75	145	185	76+1.0	7	19	4
CIF90	90	160	200	91+1.0	9.5	19	4
CIF110	110	180	220	112+1.0	9.5	19	8
CIF125	125	210	250	127+1.0	11	19	8
CIF140	140	210	250	142+1.0	12.5	19	8
CIF160	160	240	285	162+1.0	12.5	23	8
CIF180	180	240	285	183+1.0	12.5	23	8
CIF200	200	295	340	203+1.0	16	23	8
CIF225	225	295	340	228+1.0	20	23	8
CIF250	250	350	395	253+1.0	20	23	12
CIF280	280	350	395	284+1.0	20	23	12
CIF315	315	400	445	319+1.0	24.5	23	12
CIF355	355	460	505	359+1.0	24.5	23	16
CIF400	400	515	565	405+2.0	24.5	28	16
CIF450	450	565	615	455+2.0	28	28	16
CIF500	500	620	670	506+2.0	28	28	20
CIF560	560	685	740	566+2.0	32	33	20
CIF630	630	755	810	637+2.0	32	33	20

IS 10124

All Sizes Flanges are Available in BS Table 10D

Blind Flange



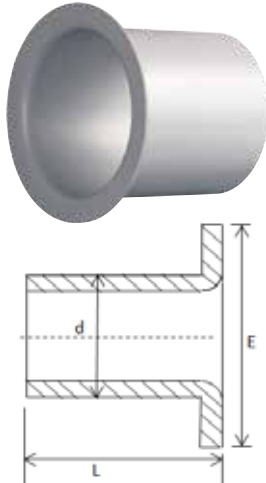
CODE	SIZE	DIA G (PCD)	DIA D (O.D)	T (THICK.)	DIA H (HOLE DIA)	NO OF HOLE
CIF63	63	125	165	7	19	4
CIF75	75	145	185	7	19	4
CIF90	90	160	200	9.5	19	4
CIF110	110	180	220	9.5	19	8
CIF125	125	210	250	11	19	8
CIF140	140	210	250	12.5	19	8
CIF160	160	240	285	12.5	23	8
CIF180	180	240	285	12.5	23	8
CIF200	200	295	340	16	23	8
CIF225	225	295	340	20	23	8
CIF250	250	350	395	20	23	12
CIF280	280	350	395	20	23	12
CIF315	315	400	445	24.5	23	12
CIF355	355	460	505	24.5	23	16
CIF400	400	515	565	24.5	28	16
CIF450	450	565	615	28	28	16
CIF500	500	620	670	28	28	20
CIF560	560	685	740	32	33	20
CIF630	630	755	810	32	33	20

IS 10124

All Sizes Flanges are Available in BS Table 10D

PVC Pipe & Fittings - Fabricated

Flange Adaptor

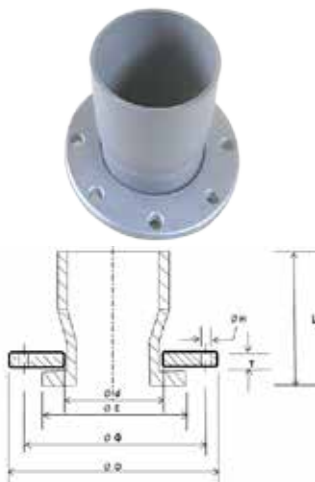


Code	Size	L		E	
		Min	Max	Max	Max
PVFA063X10	63	68		101	
PVFA075X10	75	80		121	
PVFA090X10	90	95		136	
PVFA110X10	110	115		156	
PVFA125X10	125	130		186	
PVFA140X10	140	145		186	
PVFA160X10	160	165		212	
PVFA180X10	180	185		212	
PVFA200X10	200	205		267	
PVFA225X10	225	230		267	
PVFA250X10	250	255		322	
PVFA280X10	280	285		322	
PVFA315X10	315	320		372	
PVFA355X10	355	360		432	
PVFA400X10	400	405		483	
PVFA450X10	450	455		533	
PVFA500X10	500	505		588	

Flange available on demand. Please specify flange sizes.

Note: • All dimensions are in mm. • All fabricated fittings are available in 10 kg/cm² pressure rating. Please specify other pressure ratings as per the requirement viz. 04, 06, 08, 12.5 kg/cm².

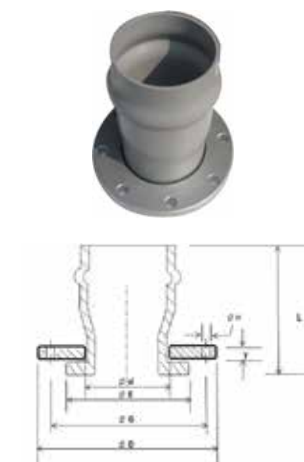
Metal Flange Adaptor



Code	Size	G	D	d	T	H	No. of Hole	L	E	Bolt Size
PVFAWF063X06	63	125	165	64	7	19	4	68	101	M16
PVFAWF075X06	75	145	185	76	7	19	4	80	121	M16
PVFAWF090X06	90	160	200	91	9.5	19	4	95	136	M16
PVFAWF110X06	110	180	220	112	9.5	19	8	115	156	M16
PVFAWF125X06	125	210	250	127	11.0	19	8	130	186	M16
PVFAWF140X06	140	210	250	142	12.5	19	8	145	186	M16
PVFAWF160X06	160	240	285	162	12.5	23	8	165	212	M20
PVFAWF180X06	180	240	285	183	12.5	23	8	185	212	M20
PVFAWF200X06	200	295	340	203	16.0	23	8	205	267	M20
PVFAWF225X06	225	295	340	228	20.0	23	8	230	267	M20
PVFAWF250X06	250	350	395	253	20.0	23	12	255	322	M20
PVFAWF280X06	280	350	395	284	20.0	23	12	285	322	M20
PVFAWF315X06	315	400	445	319	24.5	23	12	320	372	M20
PVFAWF355X06	355	460	505	359	24.5	23	16	360	432	M20
PVFAWF400X06	400	515	565	405	24.5	28	16	405	483	M24
PVFAWF450X06	450	565	615	455	28.0	28	16	455	533	M24
PVFAWF500X06	500	620	670	506	28.0	28	20	505	588	M24

Note: • All dimensions are in mm. • All fabricated fittings are available in 06 kg/cm² pressure rating. Please specify other pressure ratings as per the requirement viz. 04, 08, 10, 12.5 kg/cm².

Quick Fix Metal Flange Adaptor

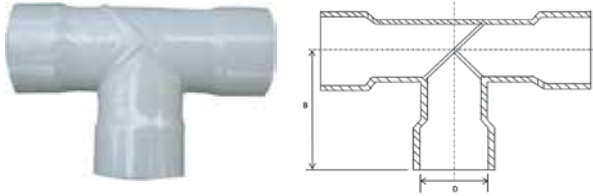


CODE	SIZE	ID(d)	O.Length(L)	Dia(D)	T	H	No. of Hole	L	E	Bolt Size
PVFAWFQ063x06	63	63.6	132	101	7	19	4	68	101	M16
PVFAWFQ075x06	75	75.6	147	121	7	19	4	80	121	M16
PVFAWFQ090x06	90	90.7	165	136	9.5	19	4	95	136	M16
PVFAWFQ110x06	110	110.8	190	156	9.5	19	8	115	156	M16
PVFAWFQ125x06	125	125.9	208	186	11.0	19	8	130	186	M16
PVFAWFQ140x06	140	140.9	226	186	12.5	19	8	145	186	M16
PVFAWFQ160x06	160	161	251	212	12.5	23	8	165	212	M20
PVFAWFQ180x06	180	181.1	275	212	12.5	23	8	185	212	M20
PVFAWFQ200x06	200	201.2	299	267	16.0	23	8	205	267	M20
PVFAWFQ225x06	225	226.4	330	267	20.0	23	8	230	267	M20
PVFAWFQ250x06	250	251.5	360	322	20.0	23	12	255	322	M20
PVFAWFQ280x06	280	281.6	397	322	20.0	23	12	285	322	M20
PVFAWFQ315x06	315	316.8	438	372	24.5	23	12	320	372	M20
PVFAWFQ355x06	355	357	484	432	24.5	23	16	360	432	M20
PVFAWFQ400x06	400	402.2	535	483	24.5	28	16	405	483	M24

Note: • All dimensions are in mm. • All fabricated fittings are available in 06 kg/cm² pressure rating. Please specify other pressure ratings as per the requirement viz. 08, 10, 12.5 kg/cm².

PVC Pipe & Fittings - Fabricated

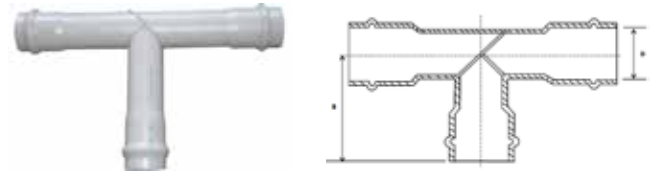
Equal Tee



CODE	SIZE	D		B
		Min	Max	
PVFT22506	225	225.3	225.7	338
PVFT25006	250	250.4	250.8	375
PVFT28006	280	280.4	280.9	420
PVFT31506	315	315.4	316	473
PVFT35506	355	355.4	356	521
PVFT40006	400	400.4	401	586
PVFT45006	450	450.4	451	659
PVFT50006	500	500.4	501	731

Note: • All dimensions are in mm. • All fabricated fittings are available in 06 kg/cm² pressure rating. Please specify other pressure ratings as per the requirement viz. 04, 08, 10 kg/cm².

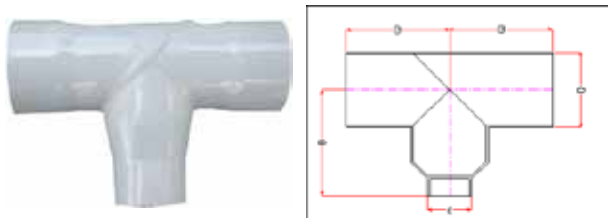
Quick-Fix Equal Tee



CODE	SIZE	B	D
PVFQT12508	125	330	125.9
PVFQT14008	140	350	140.9
PVFQT16008	160	390	161
PVFQT18008	180	430	181.1
PVFQT20008	200	475	201.2
PVFQT22508	225	520	226.4
PVFQT25008	250	565	251.5
PVFQT28008	280	620	281.6
PVFQT31508	315	690	316.8
PVFQT35508	355	775	357
PVFQT40008	400	850	402.2

Note: • All dimensions are in mm. • All fabricated fittings are available in 08 kg/cm² pressure rating. Please specify other pressure ratings as per the requirement viz. 06, 10 kg/cm².

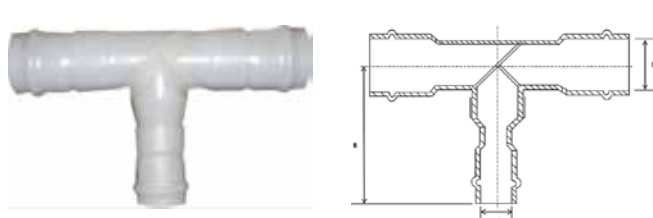
Reducing Tee



CODE	SIZE	D		d		B
		Min	Max	Min	Max	
PVFRT22520006	225 X 200	225.3	225.7	200.3	200.6	338
PVFRT25022506	250 X 225	250.4	250.8	225.3	225.7	375
PVFRT28025006	280 X 250	280.4	280.9	250.4	250.8	420
PVFRT31528006	315 X 280	315.4	316	280.4	280.9	473
PVFRT35531506	355 X 315	355.4	356	315.4	316	521
PVFRT40035506	400 X 355	400.4	401	355.4	356	586
PVFRT45040006	450 X 400	450.4	451	400.4	401	659
PVFRT50045006	500 X 450	500.4	501	450.4	451	731

Note: • All dimensions are in mm. • All fabricated fittings are available in 06 kg/cm² pressure rating. Please specify other pressure ratings as per the requirement viz. 04, 08, 10 kg/cm².

Quick-Fix Reducing Tee

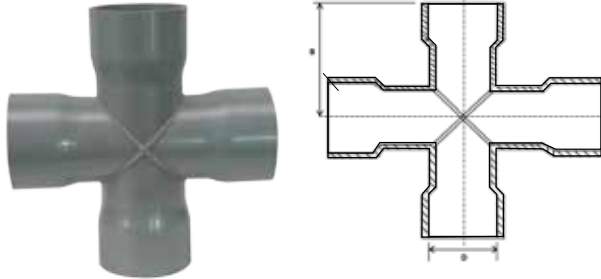


CODE	SIZE	D	
		Dm	d m
PVFRQT11009008	110 X 90	111.7	91.5
PVFRQT12511008	125 X 110	126.9	111.7
PVFRQT14011008	140 X 110	141.9	111.7
PVFRQT14012508	140 X 125	141.9	126.9
PVFRQT16014008	160 X 140	162.1	141.9
PVFRQT20016008	200 X 160	202.3	162.1
PVFRQT20018008	200 X 180	202.3	182.2
PVFRQT22520008	225 X 200	227.5	202.3
PVFRQT25022508	250 X 225	252.6	227.5
PVFRQT28025008	280 X 250	283.0	252.6
PVFRQT31528008	315 X 280	318.3	283.0

Note: • All dimensions are in mm. • All fabricated fittings are available in 08 kg/cm² pressure rating. Please specify other pressure ratings as per the requirement viz. 06, 10 kg/cm².

PVC Pipe & Fittings - Fabricated

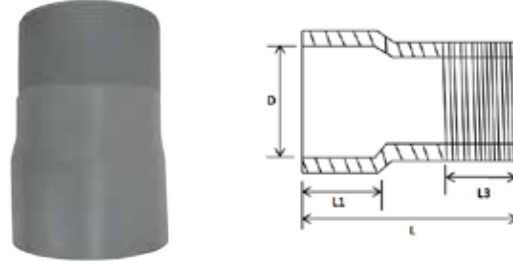
Cross Tee



CODE	SIZE	D		B
		Min	Max	
PVFFWT11006	110	110.0	110.4	165
PVFFWT12506	125	125.0	125.4	182
PVFFWT14006	140	140.0	140.5	210
PVFFWT16006	160	160.0	160.5	240
PVFFWT18006	180	180.0	180.6	270
PVFFWT20006	200	200.0	200.6	300
PVFFWT22506	225	225.0	225.7	338

Note: • All dimensions are in mm. • All fabricated fittings are available in 06 kg/cm² pressure rating. Please specify other pressure ratings as per the requirement viz. 08, 10 kg/cm².

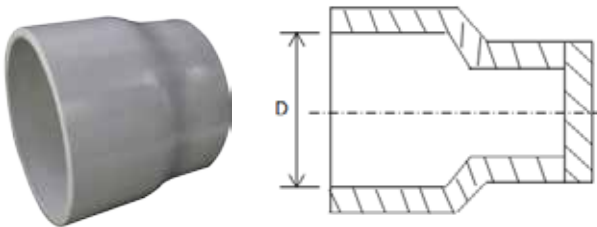
Threaded Adaptor



Code	Size	L	L1	L3	D
PVF125MTA	125	181	68.5	35	125.1
PVF140MTA	140	194	76.0	35	140.2
PVF160MTA	160	238	86.0	50	160.2
PVF180MTA	180	256	96.0	50	180.2
PVF200MTA	200	291	106.0	60	200.3
PVF225MTA	225	330	118.5	70	225.3
PVF250MTA	250	352	131.0	70	250.4
PVF280MTA	280	413	146.0	90	280.4
PVF315MTA	315	444	163.5	90	315.4

Note: • All dimensions are in mm. • All fabricated fittings are available in 06 kg/cm² pressure rating. Please specify other pressure ratings as per the requirement viz. 08, 10 kg/cm².

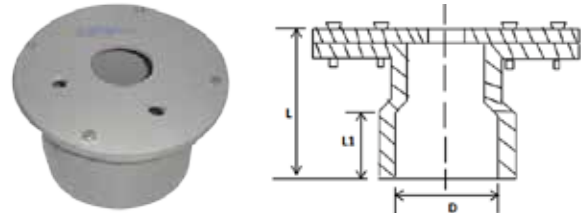
End Cap



Code	D (mm)
PVFEC14004	140
PVFEC16004	160
PVFEC18004	180
PVFEC20004	200
PVFEC22504	225
PVFEC25004	250
PVFEC28004	280
PVFEC31504	315
PVFEC35504	355
PVFEC40004	400

Note: • All dimensions are in mm. • All fabricated fittings are available in 06 kg/cm² pressure rating. Please specify other pressure ratings as per the requirement viz. 06, 08, 10 kg/cm².

225 MM TOP CAP WITH 80 MM BORE

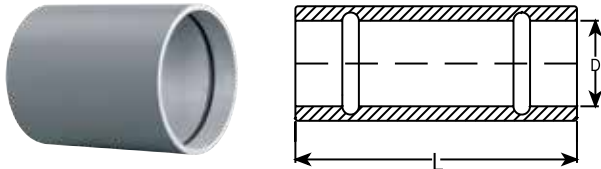


Code	Size	L	L1	D
PVFTC22504ID80MM	225	160	80	225.3

Note: • All dimensions are in mm. • All fabricated fittings are available in 06 kg/cm² pressure rating. Please specify other pressure ratings as per the requirement viz. 08, 10 kg/cm².

PVC Pipe & Fittings - Fabricated

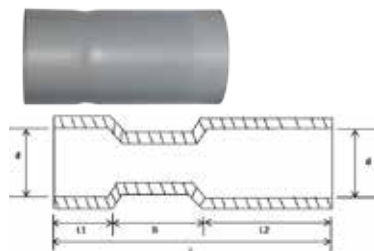
Repair Coupler



Code	D	L
PVFRFC050X10	50	90
PVFRFC063X10	63	100
PVFRFC075X10	75	110
PVFRFC090X10	90	140
PVFRFC110X10	110	160
PVFRFC125X10	125	200
PVFRFC140X10	140	200
PVFRFC160X10	160	220
PVFRFC180X10	180	240
PVFRFC200X10	200	260
PVFRFC225X10	225	300
PVFRFC250X10	250	320
PVFRFC280X10	280	350
PVFRFC315X10	315	455
PVFRFC355X10	355	455
PVFRFC400X10	400	480
PVFRFC450X10	450	530
PVFRFC500X10	500	590

Note: • All dimensions are in mm. • All fabricated fittings are available in 10 kg/cm² pressure rating. Please specify other pressure ratings as per the requirement viz. 06 kg/cm².

One End Long Repair Coupler

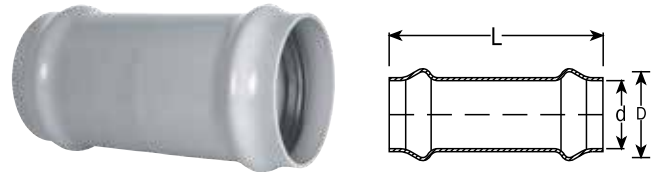


Code	Size mm	d mm	L 1 mm	L2 mm	B mm	L mm
PVFSLC06304OL213	63	63.1	37.5	150	25	212.5
PVFSLC07504OL219	75	75.1	43.5	150	25	218.5
PVFSLC09004OL226	90	90.1	51.0	150	25	226.0
PVFSLC11004OL236	110	110.1	61.0	150	25	236.0
PVFSLC06306OL213	63	63.1	37.5	150	25	212.5
PVFSLC07506OL219	75	75.1	43.5	150	25	218.5
PVFSLC09006OL226	90	90.1	51.0	150	25	226.0
PVFSLC11006OL236	110	110.1	61.0	150	25	236.0

Note: • All dimensions are in mm. • All fabricated fittings are available in 04 kg/cm² pressure rating. Please specify other pressure ratings as per the requirement viz. 06, 08 & 10 kg/cm².

Note : Refer IS 4985 for socket details.

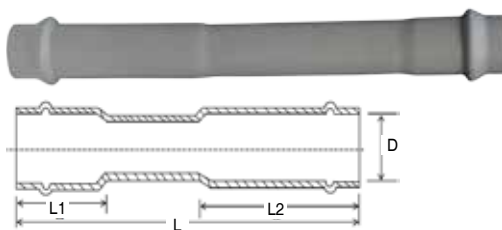
Quick-fix Repair Coupler



Code	ND	L
PVFRQC063X10	63	540.0
PVFRQC075X10	75	560.0
PVFRQC090X10	90	580.0
PVFRQC110X10	110	605.0
PVFRQC125X10	125	620.0
PVFRQC140X10	140	640.0
PVFRQC160X10	160	670.0
PVFRQC180X10	180	691.0
PVFRQC200X10	200	715.0
PVFRQC225X10	225	748.0
PVFRQC250X10	250	775.0
PVFRQC280X10	280	825.0
PVFRQC315X10	315	859.0
PVFRQC355X10	355	904.0
PVFRQC400X10	400	943.0
PVFRQC500X10	500	1057.0

Note: • All dimensions are in mm. • All fabricated fittings are available in 10 kg/cm² pressure rating. Please specify other pressure ratings as per the requirement viz. 04, 06, 08 & 12.5 kg/cm².

Quick Fix One End Long Repair Coupler

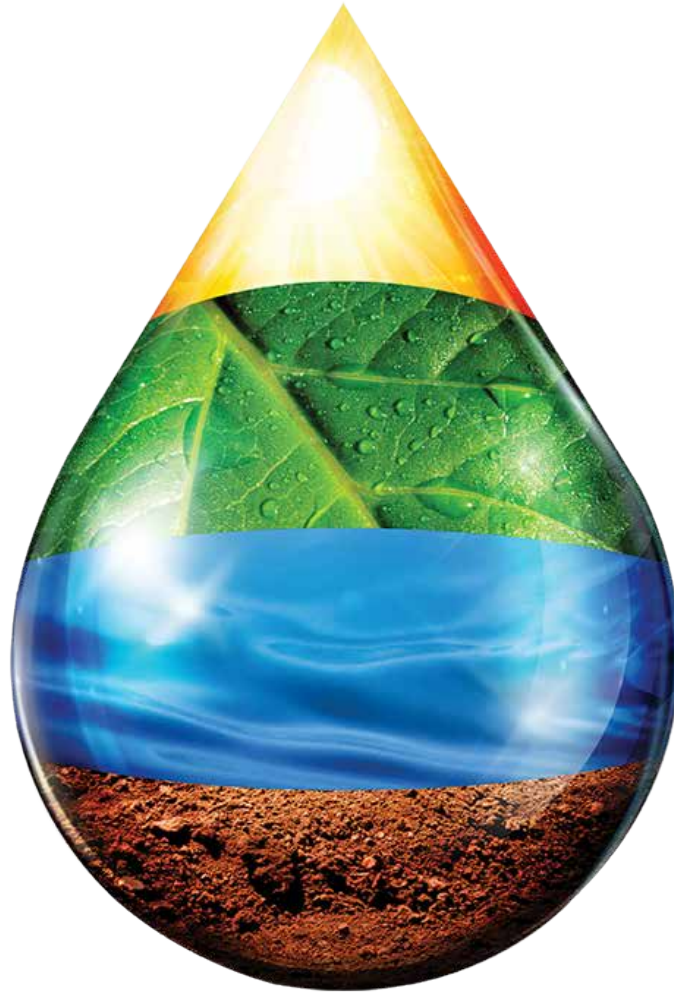


Code	L1 (Min.) mm	L2 (Min.) mm	L (Min.) mm
PVFRLC06304OL540	107	214	541
PVFRLC07504OL560	113	226	559
PVFRLC09004OL580	120	240	580
PVFRLC11004OL610	128	256	604
PVFRLC12504OL620	134	268	622
PVFRLC14004OL640	140	280	640
PVFRLC16004OL670	150	300	670
PVFRLC18004OL690	157	314	691
PVFRLC20004OL715	165	330	715
PVFRLC22504OL750	176	352	748
PVFRLC25004OL775	185	370	775
PVFRLC28004OL825	201	402	823
PVFRLC31504OL860	213	426	859
PVFRLC35504OL900	228	456	904
PVFRLC40004OL940	241	482	943

Note: • All dimensions are in mm. • All fabricated fittings are available in 04 kg/cm² pressure rating. Please specify other pressure ratings as per the requirement viz. 06, 08 & 10 kg/cm².

Note : Refer IS 4985 for socket details.

More Crop Per Drop®



**We revere these elements of our universe.
They reflect our ethos.**

Yellow, Green, Blue and Brown are colours of Nature and have been embodied in our logo. They encapsulate the conviction of the Founder and the lasting commitment of the Corporation to agriculture. Jain Irrigation is striving to add value to the entire agri-chain. At the same time, they produce and process a complete range of agri-products for the exacting world markets and growing domestic clientele.

The Corporation is poised to grow and attain water, food and energy security.



Te; : 0257-2258011; Fax: 0257- 2258111; **Toll Free : 1800 599 5000**

Connect with us

