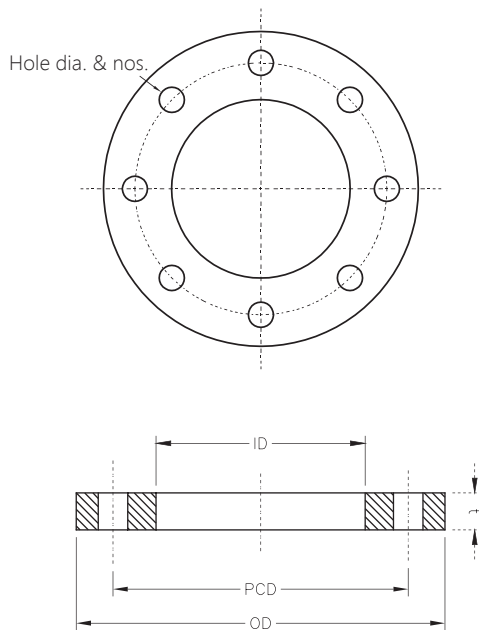


## Moulded Fittings

### HDPE SLIP ON FLANGE

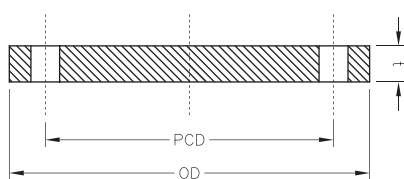
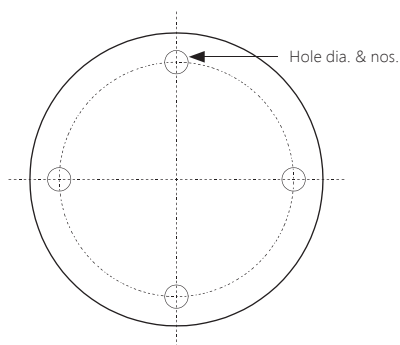


Size	ID	O.D	P.C.D	HOLE		Thickness t
				Number	Diameter	
20	32	95	67	4	17	20
25	38	102	73	4	17	20
32	44	114	83	4	17	20
40	53	121	87	4	17	20
50	64	133	98	4	17	20
63	76	152	114	4	20	20
75	88	165	127	4	20	20
90	103	184	146	4	20	20
110	123	216	178	4	20	20
125	138	254	210	8	20	20
140	154	254	210	8	20	20
160	174	279	235	8	20	20
180	194	305	260	8	20	20
200	214	337	292	8	20	25
225	239	368	324	8	20	25
250	265	406	356	8	22	30
280	295	406	356	8	22	30
315	331	457	406	12	22	30
355	376	527	470	12	25	30
400	430	578	521	12	25	30
450	517	641	584	12	25	30
500	533	705	641	16	25	30
560	618	762	699	16	29	30
630	645	826	756	16	29	30
710	745	895	840	24	31	58
800	845	1015	950	24	34	60
900	946	1115	1050	28	34	65
1000	1060	1230	1160	28	37	70
1200	1265	1455	1380	32	40	80
1400	1465	1685	1590	36	49	80
1600	1655	1800	1710	40	43	90

Note : Also available as per the customer specification/std.  
(e.g -Std. BS,IS1538 , ANSI B16.5 , ASME etc)

## Moulded Fittings

### HDPE BLIND FLANGE

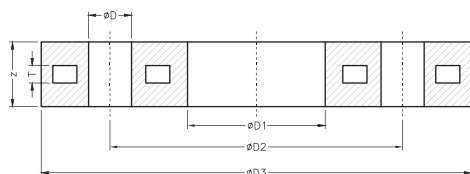
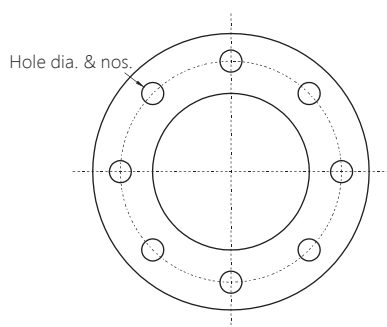


Size	O.D	P.C.D	HOLE		Thickness t
			Number	Diameter	
20	95	67	4	17	20
25	102	73	4	17	20
32	114	83	4	17	20
40	121	87	4	17	20
50	133	98	4	17	20
63	152	114	4	20	20
75	165	127	4	20	20
90	184	146	4	20	20
110	216	178	4	20	20
125	254	210	8	20	20
140	254	210	8	20	20
160	279	235	8	20	20
180	305	260	8	20	20
200	337	292	8	20	25
225	368	324	8	20	25
250	406	356	8	22	30
280	406	356	8	22	30
315	457	406	12	22	30
355	527	470	12	25	30
400	578	521	12	25	30
450	641	584	12	25	30
500	705	641	16	25	30
560	762	699	16	29	30
630	826	756	16	29	30
710	895	840	24	31	58
800	1015	950	24	34	60
900	1115	1050	28	34	65
1000	1230	1160	28	37	70
1200	1455	1380	32	40	80
1400	1685	1590	36	49	80
1600	1800	1710	40	43	90

Note :-Also available as per the customer specification/std.  
(e.g -Std. BS,IS1538 , ANSI B16.5 , ASME etc)

## Moulded Fittings

### SANDWICH FLANGE (HDPE + MILD STEEL)

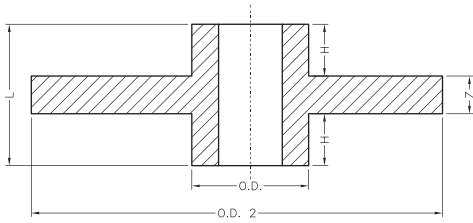


Flange Size	Inside Dia.	Pitch Circle Dia.	Outside Dia.	Thickness of Flange	Thickness of Mild Steel Insert	Dia. of Hole	Number Of Holes
20	32	65	95	20	6	14	4
25	38	75	105	20	6	14	4
32	44	85	115	20	6	14	4
40	53	100	140	20	6	18	4
50	64	110	150	20	6	18	4
63	76	125	165	20	6	18	4
75	88	145	185	20	6	18	4
90	103	160	200	20	9	18	8
110	123	180	220	20	9	18	8
125	138	210	250	20	9	18	8
140	154	210	250	20	9	18	8
160	174	240	285	20	9	22	8
180	194	240	285	20	9	22	8
200	214	295	340	25	12	22	8
225	239	295	340	25	12	22	8
250	265	350	395	30	16	22	12
280	295	350	395	30	16	22	12
315	331	400	445	30	19	22	12
355	376	460	505	30	19	22	16
400	430	515	565	35	22	26	16
450	517	620	670	35	22	26	20
500	533	620	670	35	22	26	20
560	618	725	780	35	22	30	20
630	645	725	780	35	22	30	24
630	645	725	780	35	22	30	24

Available as per requirement (e.g. IS1538, ANSI B16.5 etc)

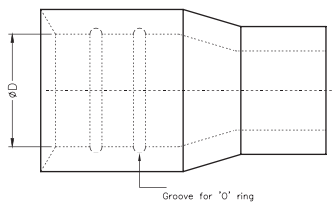
## Moulded Fittings

### HDPE PUDDLE FLANGE



Size ( OD )	OD2	Z	H	L
40	100	11	7	25
50	140	11	7	25
63	153	11	7	25
75	165	11	7	25
90	180	11	7	25
110	216	12	9	30
125	254	15	10	35
140	254	15	10	35
160	279	15	15	45
180	305	15	15	45
200	305	15	15	45
225	336	15	15	45
250	368	15	15	45
280	406	20	15	50
315	457	20	15	50
355	490	20	15	50
400	555	25	20	65
450	641	25	20	65
500	650	25	20	65
560	730	25	20	65
630	800	25	20	65
710	890	25	20	65
800	980	30	25	80
900	1100	30	25	80
1000	1250	60	40	140
1200	1500	80	40	160
1600	1900	100	60	220

### HDPE COUPLER FOR CABLE DUCT PIPING WITH RUBBER O-RING

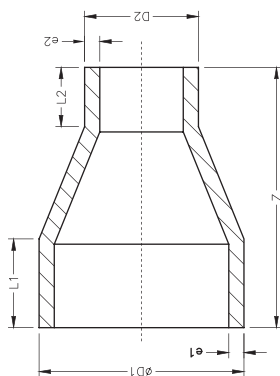
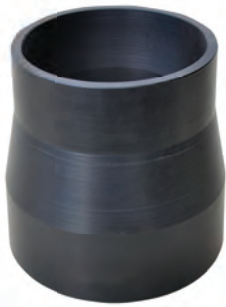


Sr. No	Size Ø D	Sr. No	Size Ø D
1	90	13	400
2	110	14	450
3	125	15	500
4	140	16	560
5	160	17	630
6	180	18	710
7	200	19	800
8	225	20	900
9	250	21	1000
10	280	22	1200
11	315	23	1400
12	355	24	1600

Note: Make as per Material grade & presure rating

## Moulded Fittings

### CONCENTRIC REDUCER SINGLE STAGE / MULTI STAGE



Note: e1 & e2 are as per pipe std.

Sr. No	D1	D2	L1	L2	Z
1	110	50	30	18	130
2	125	63	34	18	137
3	140	75	37	20	146
4	160	90	42	24	162
5	180	110	47	30	173
6	200	110	52	30	206
		125	52	34	189
7	225	110	57	30	245
		125	57	34	228
8	250	140	62	37	250
		160	62	42	228
		200	62	52	183
9	280	160	72	42	279
		180	72	47	256
10	315	160	82	42	337
		180	82	47	314
		200	82	52	292
		200	90	52	355
		225	90	57	325
11	355	250	90	62	296
		280	90	72	265
		315	90	82	227
12	400	200	90	52	417
		280	90	72	327
		315	90	82	289
		355	90	90	242
		250	90	62	427
		280	90	72	395
13	450	315	90	82	357
		355	90	90	310
		400	90	90	249
14	500	315	90	82	426
		355	90	90	379
		400	90	90	317
		450	90	90	249

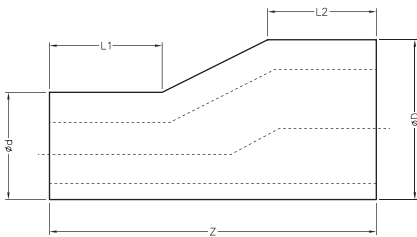
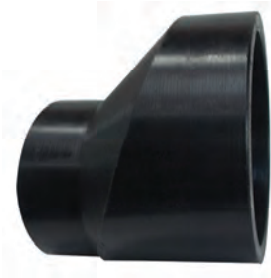
D1	D2	L1	L2	Z
25	20	18	15	50
32	20	18	15	50
	25	18	15	50
40	20	18	15	60
	25	18	15	60
	32	18	15	60
50	25	18	15	65
	32	18	15	65
	40	18	15	65
63	32	18	15	70
	40	18	15	70
	50	18	15	70
75	40	19	15	70
	50	19	15	70
	63	19	16	70
90	50	24	15	80
	63	24	16	80
	75	24	21	80
110	63	30	18	95
	75	30	21	95
	90	30	24	95
125	75	34	21	105
	90	34	24	105
	110	34	30	105

Sr. No	D1	D2	L1	L2	Z
		355	90	90	461
15	560	400	90	90	400
		450	90	90	331
		500	90	90	262
16	630	400	120	90	526
		450	120	90	457
		500	120	90	388
		560	120	90	306
17	710	450	120	90	567
		500	120	90	498
		560	120	90	416
		630	120	120	350
18	800	450	120	90	690
		500	120	90	622
		560	120	90	539
		630	120	120	473
		710	120	120	364
19	900	500	120	90	759
		560	120	90	677
		630	120	120	611
		710	120	120	501
		800	120	120	377
20	1000	630	150	120	778
		710	150	120	668
		800	150	120	545
		900	150	120	407
21	1200	630	150	120	1053
		710	150	120	943
		800	150	120	819
		900	150	120	682
		1000	150	150	575
22	1600	1000	200	150	1174
		1200	200	150	899

D1	D2	L1	L2	Z
140	90	37	24	115
	110	37	30	115
	125	37	34	115
160	110	42	30	125
	125	42	34	125
	140	42	37	125
180	125	47	34	135
	140	47	37	135
	160	47	42	135
200	140	52	37	140
	160	52	42	140
	180	52	47	140
225	160	57	42	165
	180	57	47	165
	200	57	52	165
250	180	62	47	180
	200	62	52	180
	225	62	57	180
280	200	72	52	205
	225	72	57	205
	250	72	62	205
315	225	82	57	230
	250	82	62	230
	280	82	72	230

## Moulded Fittings

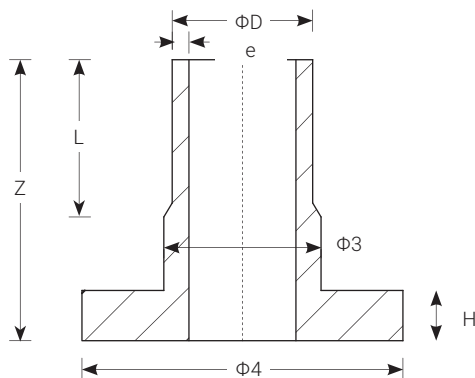
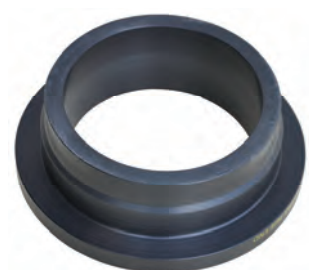
### ECCENTRIC REDUCER SINGLE STAGE



$\phi D$	$\phi d$	L1	L2	Z
25	20	18	15	50
32	20	18	15	50
32	25	18	15	50
40	20	18	15	60
40	25	18	15	60
40	32	18	15	60
50	25	18	15	65
50	32	18	15	65
50	40	18	15	65
63	32	18	15	70
63	40	18	15	70
63	50	18	15	70
75	40	19	15	70
75	50	19	15	70
75	63	19	16	70
90	50	24	15	80
90	63	24	16	80
90	75	24	21	80
110	63	30	18	95
110	75	30	21	95
110	90	30	24	95
125	75	34	21	105
125	90	34	24	105
125	110	34	30	105
140	90	37	24	115
140	110	37	30	115
140	125	37	34	115
160	110	42	30	125
160	125	42	34	125
160	140	42	37	125
180	125	47	34	135
180	140	47	37	135
180	160	47	42	135
200	140	52	37	140
200	160	52	42	140
200	180	52	47	140
225	160	57	42	165
225	180	57	47	165
225	200	57	52	165
250	180	62	47	180
250	200	62	52	180
250	225	62	57	180
280	200	72	52	205
280	225	72	57	205
280	250	72	62	205
315	225	82	57	230
315	250	82	62	230
315	280	82	72	230

## Moulded Fittings

### EXTRUSION MOLDED PIPE END / STUB END



Pipe End For PN- 4/06

$\Phi D$	Diameter for Manufacturing		Laying Length Z	Collar Height H	Welding Length L
	D3	D4			
20	28	47	50	7	-
25	34	57	50	9	28
32	40	67	50	10	27
40	49	78	50	11	24
50	60	80	50	12	23
63	72	94	50	14	16
75	84	105	50	16	14
90	99	125	80	17	43
110	119	158	80	18	37
125	134	188	80	18	42
140	150	188	80	18	34
160	170	214	80	18	34
180	190	214	80	20	30
200	210	269	100	24	36
225	235	269	100	24	46
250	261	320	100	25	35
280	291	320	100	25	45
315	327	370	100	25	35
355	373	430	120	30	50
400	427	482	120	33	42
450	514	558	120	46	20
500	530	585	120	46	24
560	615	670	120	50	20
630	642	685	120	50	30
710	737	800	120	50	20
800	840	905	120	52	18
900	944	1005	120	55	15
1000	1047	1110	140	60	10
1200	1255	1320	175	72	50
1400	1440	1525	214	74	80
1600	1645	1750	200	80	70
1800	-	1965	265	120	215
2000	2060	2260	330	150	180
2500	2570	2850	380	200	180

Pipe End For PN- 8/10

$\Phi D$	Diameter for Manufacturing		Laying Length Z	Collar Height H	Welding Length L
	D3	D4			
20	28	47	50	7	28
25	34	57	50	9	24
32	40	67	50	10	27
40	49	78	50	11	24
50	60	80	50	12	23
63	72	94	50	14	16
75	84	105	50	16	14
90	99	125	80	17	43
110	119	158	80	18	37
125	134	188	80	25	35
140	150	188	80	25	27
160	170	214	80	25	27
180	190	214	80	30	20
200	210	269	100	32	28
225	235	269	100	32	38
250	261	320	100	35	25
280	291	320	100	35	35
315	327	370	100	35	25
355	373	430	120	40	40
400	427	482	120	46	29
450	514	558	120	60	20
500	530	585	120	60	20
560	615	670	120	60	20
630	642	685	120	60	20
710	737	800	120	67	20
800	840	905	120	67	20
900	944	1005	120	75	20
1000	1047	1110	140	84	20
1200	1255	1320	175	72	50
1400	1440	1525	214	74	80
1600	1645	1750	200	80	70
1800	-	1965	265	120	215
2000	2060	2260	330	150	180
2500	2570	2850	380	200	180

## Moulded Fittings

Pipe End For PN- 12.5

ΦD	Diameter for Manufacturing Reference D3	Collar Diameter D4	Laying Length Z	Collar Height H	Welding Length L
20	28	47	52	9	28
25	34	57	52	11	24
32	40	67	53	13	27
40	49	78	53	14	24
50	60	80	53	15	23
63	72	94	54	18	16
75	84	105	84	20	14
90	99	125	84	21	43
110	119	158	85	23	37
125	134	188	86	31	42
140	150	188	86	31	27
160	170	214	86	31	27
180	190	214	87	37	20
200	210	269	108	40	28
225	235	269	108	40	38
250	261	320	109	44	25
280	291	320	109	44	35
315	327	370	109	44	25
355	373	430	130	50	40
400	427	482	131	57	29
450	514	558	135	75	20
500	530	585	135	75	20
560	615	670	135	75	20
630	642	685	135	75	20
710	737	800	128	75	20
800	840	905	134	81	20
900	944	1005	136	90	20
1000	1047	1110	156	100	20
1200	1255	1320	223	120	50
1400	1440	1525	282	142	80
1600	1645	1750	280	160	70

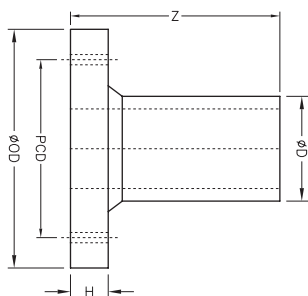
Pipe End For PN- 16

ΦD	Diameter for Manufacturing Reference D3	Collar Diameter D4	Laying Length Z	Collar Height H	Welding Length L
20	28	47	54	11	28
25	34	57	56	15	24
32	40	67	56	16	27
40	49	78	57	18	24
50	60	80	57	19	23
63	72	94	59	23	16
75	84	105	90	26	14
90	99	125	90	27	43
110	119	158	91	29	37
125	134	188	95	40	42
140	150	188	95	40	27
160	170	214	95	40	27
180	190	214	98	48	20
200	210	269	120	52	28
225	235	269	119	51	38
250	261	320	120	55	25
280	291	320	121	56	35
315	327	370	121	56	25
355	373	430	148	68	40
400	427	482	154	80	29
450	514	558	129	69	20
500	530	585	137	77	20
560	615	670	146	86	20
630	642	685	157	97	20
710	737	800	142	89	20
800	840	905	153	100	20
900	944	1005	158	113	20
1000	1047	1110	180	124	20
1200	1255	1320	--	--	50
1400	1440	1525	--	--	80
1600	1645	1750	--	--	70



## Moulded Fittings

### EXTRUSION MOLDED WELD NECK WITH FLANGE

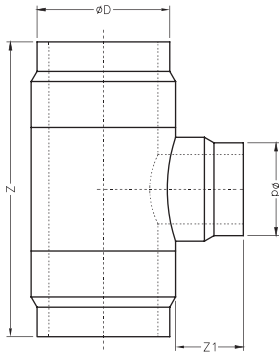


SIZE	H	Z	D	PCD	HOLE DETAILS	
					DIA	NOS
50	12	50	133	98	17	4
63	14	50	152	114	20	4
75	16	50	165	127	20	4
90	17	80	184	146	20	4
110	18	80	216	178	20	4
125	25	80	254	210	20	8
140	25	80	254	210	20	8
160	25	80	279	235	20	8
180	30	80	305	260	20	8
200	32	100	337	292	20	8
225	32	100	368	324	20	8
250	35	100	406	356	22	8
280	35	100	406	356	22	8
315	35	100	457	406	22	12
355	40	120	527	470	25	12
400	46	120	578	521	25	12
450	60	120	641	584	25	12
500	60	120	705	641	25	16
560	60	120	762	699	29	16
630	60	120	826	756	29	16
710	67	120	895	840	31	24
800	67	120	1015	950	34	24
900	75	120	1115	1050	34	28
1000	84	140	1230	1160	37	28
1200	72	175	1455	1380	40	32
1400	74	214	1685	1590	49	36
1600	80	200	1800	1710	53	40

- Flange specifications as per is 1538
- All dimensions are in 'MM' - Note :- other sizes as per requirement can also be supplied.

## Moulded Fittings

### EXTRUSION MOULDED TEE

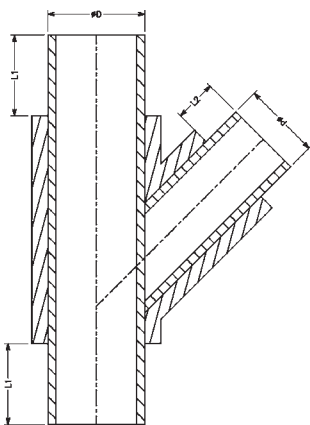


Size D	d	Z	Z1	Size D	d	Z	Z1
200	110	310	100	710	90	490	100
225	90	290	100		110	510	100
	110	310	100		160	560	100
250	90	290	100	200	600	200	
	110	310	100	800	90	490	100
280	160	360	100		110	510	100
	90	290	100		160	560	100
315	110	310	100	200	600	200	
	160	360	100	900	90	490	100
355	90	290	100	110	510	100	
	110	310	100	160	560	100	
400	160	360	100	200	600	200	
	90	290	100	1000	160	560	100
450	110	390	100		200	600	100
	160	440	100		250	650	100
500	90	370	100	280	680	200	
	110	390	100	315	715	250	
560	160	440	100	200	800	200	
	90	370	100	250	850	200	
630	110	390	100	280	880	200	
	160	440	100	315	915	250	
710	90	290	100	400	1000	300	
	110	310	100	1200	200	800	200
160	360	100	250		850	200	
90	290	100	280		880	200	
800	110	390	100	315	915	250	
	160	440	100	400	1000	300	
880	90	370	100	1600	200	800	200
	110	390	100		250	850	200
160	440	100	280		880	200	
960	90	290	100	315	915	250	
	110	310	100	400	1000	300	
160	360	100	2000	200	800	200	
90	290	100		250	850	200	
110	310	100		280	880	200	
160	360	100	315	915	250		
90	290	100	1200	2400	500		
110	310	100					
160	360	100					
200	480	200					

Note : Also make as per required size (Useful for Air valve)

## Moulded Fittings

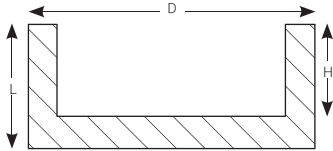
### MOULDED 'Y'



D1	D2	L1	L2
110	63	80	60
	75	80	60
	90	80	60
140	90	100	80
	110	100	80
	125	100	80
160	110	100	80
	125	100	80
	140	100	80
180	110	100	80
	125	100	80
	140	100	100
200	160	100	100
	110	100	80
	125	100	80
	140	100	100
	160	100	100
	180	100	100
225	110	120	80
	125	120	80
	140	120	100
	160	120	100
	180	120	100
	200	120	120
250	110	120	80
	125	120	80
	140	120	100
	160	120	100
	180	120	100
	200	120	120
	225	120	120
	160	150	100
	180	150	100
280	200	150	120
	225	150	120
	250	150	120
315	160	150	100
	180	150	100
	200	150	120
	225	150	120
	250	150	120

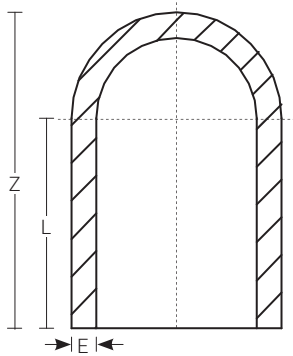
## Moulded Fittings

### EXTRUSION MOLDED END CAP



Size (D)	Depth (H)	Total Length (L)	Size (D)	Depth (H)	Total Length (L)
20	7	20	280	30	60
25	7	20	315	30	60
32	7	20	355	50	80
4	7	20	400	50	80
50	7	20	450	50	80
63	7	20	500	50	80
75	7	20	560	50	80
90	7	20	630	50	80
110	7	20	710	50	100
125	20	40	800	50	100
140	20	40	900	50	100
160	20	40	1000	100	200
180	20	40	1200	100	200
200	20	40	1400	100	200
225	30	60	1600	100	200
250	30	60			

### END CAP



E - As per Pipe Thickness

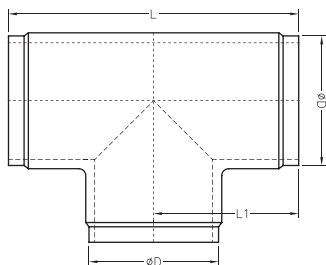
Size	Outer Diameter		Tabular Length	Laying Length
	min	max	L	Z
20	20.1	20.3	25	37
25	25.1	25.3	25	40
32	32.1	32.3	30	45
40	40.1	40.4	30	50
50	50.1	50.5	30	55
63	63.1	63.6	40	65
75	75.1	75.7	45	75
90	90.1	90.9	55	90
110	110.1	111.0	60	100
125	125.1	126.2	45	70
140	140.1	141.3	45	75
160	160.1	161.5	50	85
180	180.1	181.7	50	100
200	200.1	201.8	60	110
225	225.1	227.1	60	115
250	250.1	252.3	65	125

**NOTE :**

1. Round shape only upto 110mm & above are flat shape
2. Moulded End Caps are available up to 110mm dia. of pressure rating PN6 and 10 kg/cm<sup>2</sup>.
3. Fabricated Fittings are available in pressure rating PN2.5 up to 25.

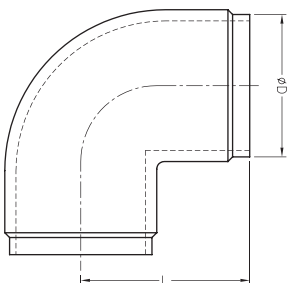
## Moulded Fittings

### TEE



Size (D)	L	L1	Tolerance L±
20	73	36.5	1
25	78	39	2
32	92	46	2
40	126	63	2
50	150	75	2
63	160	80	2
75	176	88	2
90	197	98.5	2
110	245	122.5	3
125	270	135	3
140	290	145	3
160	314	157	3

### 90° ELBOW



Size	L	Tolerance L ±
20	35	1
25	40	2
32	50	2
40	60	2
50	70	2
63	80	2
75	90	2
90	110	2
110	140	3
125	140	3
140	150	3
160	170	3