

Turbo Clean® ML Y

Cyclonic Dirt Cleaner

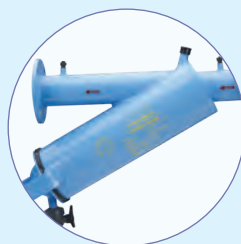


Features & Benefits



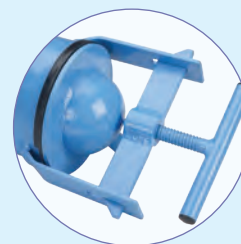
Innovative Turbo Clean Element

Unique Turbo Clean element assures high performance and effective filtration (Flow direction In to Out)



Straight Inlet & Outlet

'Y' shaped body keeps inlet & outlet in one line



Easy for Maintenance

Strong and smooth opening and closing for cleaning disc element



Standard Pure Polyester / Epoxy coating for Protecting from Corrosion

Coated up to 150 micron thick deep blue colored pure Polyester powder on outer surface & Epoxy coating from inner side for protection against corrosion and weather effects



Various Connection Options Available

Threaded connection, Flanged (universal) connection or Easy Fix™ connection available



Draining Facility Available

Drain valve position on upper & lower sides of the body provides installation flexibility-

Turbo Clean ML Y- Gold

Additional Features

- Mild steel construction.
- Flow direction from inside of the element to outside (In to Out).
- Specially designed, collapse resistant stainless steel element.
- High durability.
- Available in standard mesh of 100 micron size. (other mesh sizes available On demand).
- Maximum operating pressure 10 kg/cm² (142 psi).
- On demand, Turbo-Clean can also be supplied with automatic flushing option.
- Turbo-Clean® filter can also be supplied in stainless steel material.
- Can be supplied in multiple batteries option.

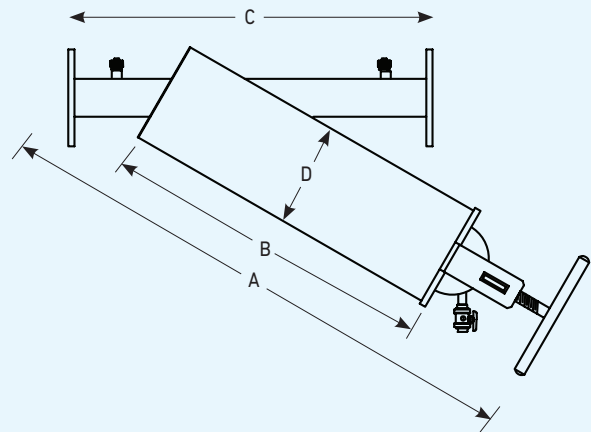
Applications

- Prevents irrigation systems clogging due to physical contaminants.
- Useful when water quality is poor and frequent on-line flushing is necessary.

Specifications

Nominal Flow Rate		Inlet/ Outlet Connection	Screen Surface Area	Gross Weight	
m ³ /hr	gpm			kg	lbs
25	95	2"	0.095	18.2	40.0
40	114	2½"	0.138	23.4	51.5
50	189	3"	0.166	26.0	57.2
60	227	4"	0.198	31.8	70.0

Dimensional Specifications



Nominal Flow Rate		A	B	C	D
m ³ /hr	gpm	mm	mm	mm	mm
25	95	650	292	530	165
40	114	777	417	600	165
50	189	860	500	600	165
60	227	952	592	600	165

Clean Pressure Drop Chart

Size	Flow	K	m	Pressure Drop(kg/cm ²) w.r.t. Flow (m ³ /hr)												
				5	10	15	20	25	30	40	50	60	70	80	90	100
2	25	0.01	0.098	0.02	0.03	0.04	0.07	0.12	0.19	0.51	1.37	3.68	-	-	-	-
2½	40	0.033	0.034	0.04	0.05	0.05	0.06	0.08	0.09	0.13	0.18	0.25	0.35	0.49	0.69	0.97
3	50	0.016	0.045	0.02	0.02	0.03	0.039	0.05	0.06	0.1	0.15	0.24	0.37	0.58	0.91	1.43
4	60	0.03	0.03	0.04	0.04	0.05	0.055	0.06	0.07	0.1	0.13	0.18	0.24	0.32	0.44	0.59

Governing equation, $h = k e^{m \chi}$; h = Pressure drop (kg/cm²); χ = Flow rate (m³/hr); K = Pressure drop constant; m = Flow constant (for k & m value refer table)

Note: Filters are tested under standard laboratory test conditions.

Ordering Specifications

TC	Y	X	XX
		Material	Flow (m ³ /hr)
		M-Mild Steel	25; 40;
		S-Stainless Steel	50; 60

Example: DTCYM40- This code represents Turbo-Clean® of 40 m³/hr flow, 'Y' type filter with mild steel construction.

Note:

- For automatic flushing change above code as DTCYM40A instead of DTCYM40.
- Turbo-Clean® of any other flow capacity or end connections can be supplied On demand.

