

Super Clean® L - Classic

Easy Way for Effective Filtration

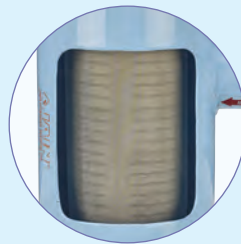


Features & Benefits



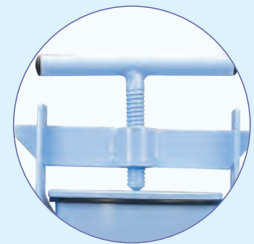
Special Filter Design

Tangential inlet protects the screen from direct impact of sharp/angular particles



Unique Smart Clean Element

Equipped with Smart-Clean, Unique filtering element, to assure high performance and effective filtration.



Easy for Maintenance

Strong and smooth opening and closing for cleaning screen element



Standard Epoxy Coating for Protection from Corrosion

Coated with more than 70 micron thick light blue coloured epoxy powder from both inside and outside surface for protection against corrosion and weather effects



Various Connection Options Available

Threaded connection, Flanged connection or Easy Fix™ connection available



Draining Facility Available

Slant drain valve position at the bottom facilitates effective flushing

Super Clean® L - Classic

Additional Features

- Mild steel Construction.
- And 'L' shaped body allows installation in angular fashion.
- Available in standard mesh of 100 micron size. (other mesh sizes available On demand).
- Flow direction from outside of the element to inside (Out to In).
- Maximum operating pressure 6 kg/cm² (142 psi).
- Epoxy coated stand for support and proper installation of the filter available as optional.
- On demand, Super-Clean filter can also be supplied with automatic flushing option.
- Super-Clean filter can also be supplied in stainless steel body.
- Can be supplied in multiple batteries option

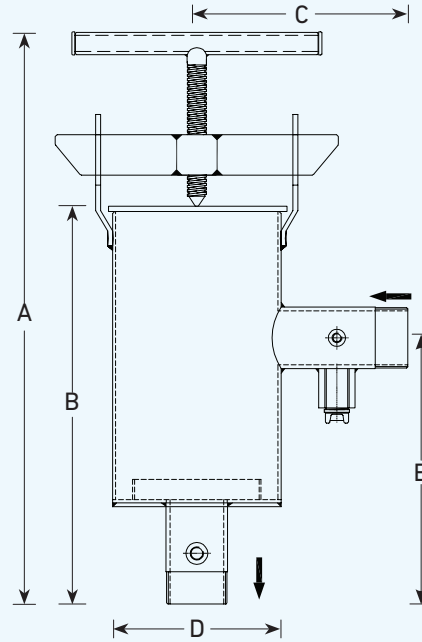
Applications

- Prevents irrigation system clogging from physical contaminants.system.

Technical Specifications

Nominal Flow Rate		Inlet/ Outlet Connection	Screen Surface Area	Gross Weight	
m ³ /hr	gpm	inch	m ²	kg	lbs
15	66	1½"	0.049	7	15.4
25	110	2"	0.095	9	19.8
30	132	2½"	0.098	9	19.8
40	176	2½"	0.138	10	22.0
40	176	3"	0.140	11	24.3
50	220	3"	0.166	12	26.5

Dimensional Specifications



Nominal Flow Rate		A	B	C	D	E
m ³ /hr	gpm	mm	mm	mm	mm	mm
15	66	443	160	208	165	176
25	110	565	292	208	165	263
30	132	565	292	208	165	263
40	176	690	417	208	165	388
40	176	690	417	208	165	388
50	220	773	500	208	165	417

Clean Pressure Drop Chart

Size inch	Flow m ³ /hr	K	m	Pressure Drop kg/cm ² - w.r.t. Flow m ³ /hr												
				5	10	15	20	25	30	40	50	60	70	80	90	100
1½	15	0.018	0.102	0.03	0.05	0.08	0.13	0.22	0.37	1.02	2.82	-	-	-	-	-
2	25	0.023	0.059	0.03	0.04	0.06	0.08	0.1	0.13	0.24	0.44	0.78	1.41	2.54	-	-
2½	30	0.01	0.069	0.01	0.02	0.03	0.04	0.06	0.08	0.16	0.33	0.65	1.29	2.58	-	-
2½	40	0.016	0.042	0.02	0.02	0.03	0.04	0.05	0.06	0.09	0.13	0.2	0.31	0.47	0.72	1.11
3	40	0.012	0.043	0.0154	0.02	0.02	0.03	0.04	0.05	0.07	0.11	0.17	0.26	0.4	0.62	0.96
3	50	0.018	0.035	0.021	0.02	0.03	0.035	0.04	0.05	0.07	0.1	0.14	0.2	0.28	0.4	0.56

Governing equation, $h = k e^{m \chi}$; h = Pressure drop (kg/cm²); χ = Flow rate (m³/hr); K = Pressure drop constant; m = Flow constant (for k & m value refer table)

Note: Filters are tested under standard laboratory test conditions.

