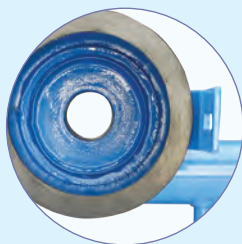


Super Clean® - L

Special Dirt Clean Filter

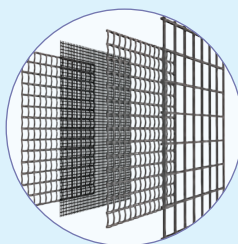


Features & Benefits



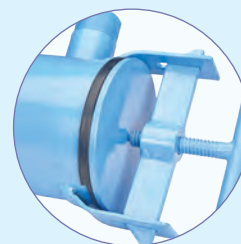
Special Filter Design

Tangential inlet protects the screen from direct impact of sharp/angular particles



Unique Smart Clean Element

Unique 'Smart-Clean' element, assures high performance and effective filtration. (Flow direction Out to In)



Easy for Maintenance

Strong and smooth opening and closing for cleaning screen element



Standard Pure Polyester / Epoxy coating for Protecting from Corrosion

Coated up to 150 micron thick deep blue colored pure Polyester powder on outer surface & Epoxy coating from inner side for protection against corrosion and weather effects



Various Connection Options Available

Threaded connection, Flanged (universal) connection or Easy Fix™ connection available



Draining Facility Available

Drain valve position on upper & lower sides of the body provides installation flexibility

Super Clean® L - Gold

Additional Features

- Mild steel Construction.
- And 'L' shaped body allows installation in angular fashion.
- Available in standard mesh of 100 micron size. (other mesh sizes available On demand).
- Flow direction from outside of the element to inside (Out to In).
- Maximum operating pressure 10 kg/cm² (142 psi).
- On demand, Super-Clean filter can also be supplied with automatic flushing option.
- Super-Clean filter can also be supplied in stainless steel body.
- Can be supplied in multiple batteries option

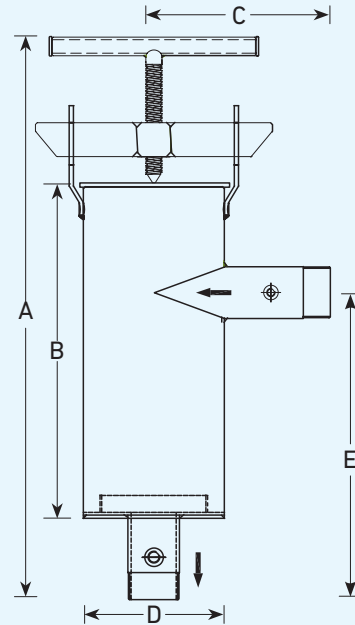
Applications

- Prevents irrigation system clogging from physical contaminants

Specifications

Nominal Flow Rate		Inlet/ Outlet Connection	Screen Surface Area	Gross Weight	
m ³ /hr	gpm			kg	lbs
15	57	1½"	0.049	10.0	22.0
25	95	2"	0.095	14.3	31.5
40	151	2½"	0.138	16.6	36.5
50	189	3"	0.166	20.0	44.0
60	227	4"	0.198	22.0	48.4

Dimensional Specifications



Nominal Flow Rate	A	B	C	D	E
m ³ /hr	mm	mm	mm	mm	mm
15	420	160	180	165	180
25	535	292	180	165	302
40	665	417	180	165	427
50	745	500	180	165	510
60	837	592	180	165	602

Clean Pressure Drop Chart

Size	Flow	K	m	Pressure Drop(kg/cm ²) w.r.t. Flow (m ³ /hr)												
				5	10	15	20	25	30	40	50	60	70	80	90	100
1½"	15	0.042	0.102	0.07	0.12	0.19	0.32	0.54	0.89	2.45	-	-	-	-	-	-
2"	25	0.026	0.063	0.04	0.05	0.07	0.09	0.13	0.17	0.32	0.6	1.12	2.1	-	-	-
2½"	40	0.017	0.048	0.02	0.03	0.03	0.04	0.06	0.07	0.11	0.19	0.3	0.48	0.77	1.24	2
3	50	0.012	0.041	0.01	0.02	0.02	0.03	0.03	0.04	0.06	0.09	0.14	0.22	0.32	0.49	0.74
4	60	0.008	0.044	0.01	0.01	0.02	0.02	0.02	0.03	0.05	0.07	0.11	0.18	0.27	0.43	0.66

Governing equation, $h = k e^m \chi$; h = Pressure drop (kg/cm²); χ = Flow rate (m³/hr); K = Pressure drop constant; m = Flow constant (for k & m value refer table)

Note: Filters are tested under standard laboratory test conditions.

Ordering Specifications

SC	L	X	XX
		Material	Flow (m ³ /hr)
		M-Mild Steel	150; 250; 400
		S-Stainless Steel	

Example: SCLM400 - This code represents Super-Clean® - 'L' Deluxe Type filter with mild steel construction having flow capacity 40 m³/hr.

Note:

- For automatic flushing change above code as SCLM400A instead of SCLM400.
- On demand Super Clean® - 'L' Deluxe Type filter can be supplied in any other flow capacity or end connections.

