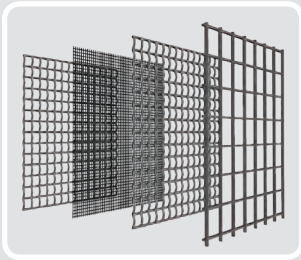
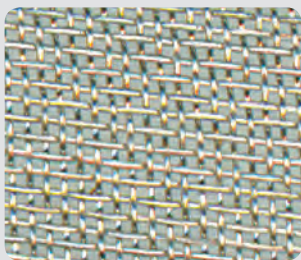


SmartClean VHO Filter



Choice of Filtration Degree

Filtration available with following degree as 80, 100, 125, 200 & 300 micron



Dutch Weave Screen

Dutch weave screen assures high performance and effective filtration



Hydraulic Piston

Reliable, smooth and low pressure operating hydrophilic piston mounted in stainless steel cylinder



Self-Suction Cleaning Mechanism

Cleaning of the filter is carried out by the suction smart scanner which rotates spirally across the screen

SmartClean 
Automatic Screen Filter

SmartClean VHO Filter

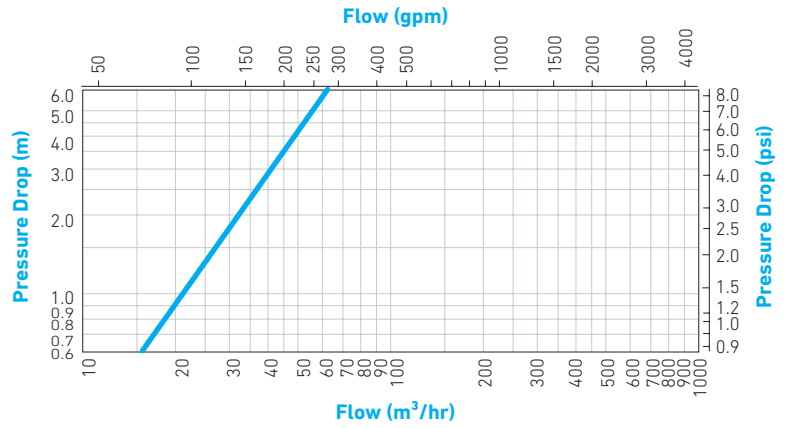
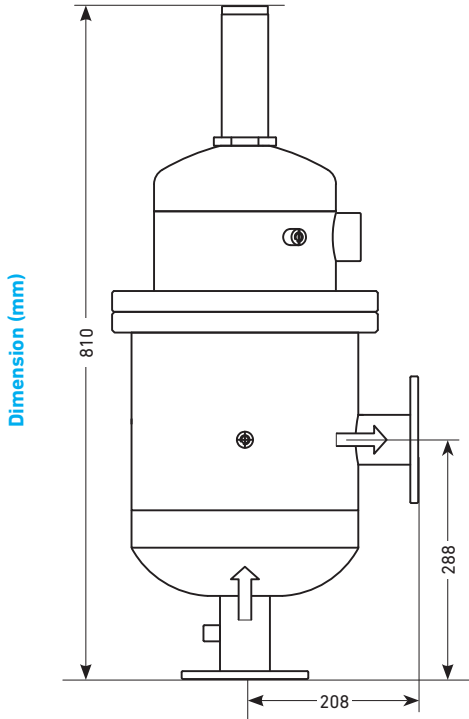


Specifications

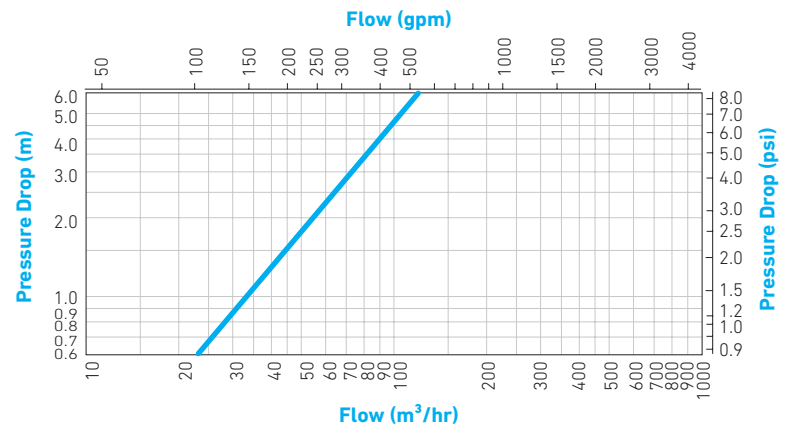
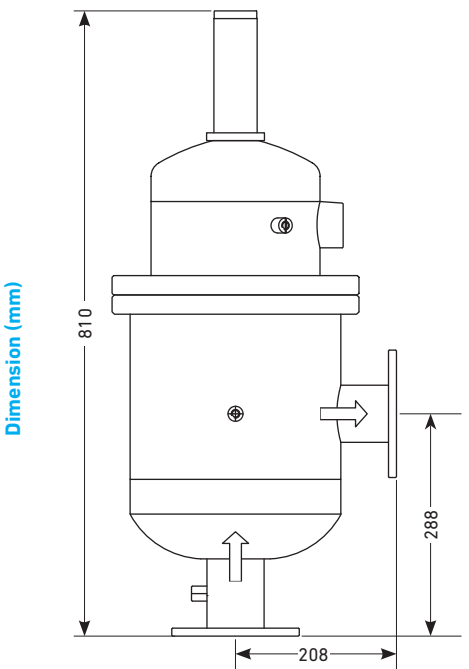
Model	Type	20R	25R	30R	40R
Inlet /outlet connection (inch)	inch	2"	2.5"	3"	4"
Filtration area	(cm ²)	1200	1200	1200	1600
	(inch ²)	186	186	186	248
Nominal Flowrate	m ³ /hr	25	40	50	80
	US gpm	110	176	220	352
Filtration Degree	micron	80, 100, 125, 200, 300			
Minimum Working Pressure	bar	2			
	psi	28			
Maximum Working Pressure	bar	10			
	psi	142			
Maximum Working Temperature	Deg C	60			
	Deg F	140			
Gross Weight	kg	49	52	54	64
	lbs	107	114	118	140
Screen Type	Multilayer dutch weave screen				
Drain Connection Size	inch	1.5"			
Minimum Flow for Flushing (at 2 bar - 29 psi)	m ³ /hr	14	14	14	20
	US gpm	62	62	62	88
Volume of Flush Water (at 2 bar - 29 psi)	liter	60	60	60	84
	gallon	16	16	16	22
Duration of Flushing	sec	15	15	15	20
Flushing Condition	Automatic based on differential pressure of 0.6 bar (8.5 psi) and /or time based				
Filter construction materials					
Filter housing	Epoxy coated carbon steel ASTM - A53 / A106 (Stainless steel 316L on request)				
Filter Lid	Epoxy coated carbon steel ASTM - A53 / A106 (Stainless steel 316L on request)				
Housing seal	EPDM & NBR				
Cleaning Mechanism	Collecting Shaft: Stainless Steel 316L; Nozzle: Nylon				
Filter Element	Stainless Steel 316L				
Piston	PP with NBR Seal				
Cylinder	SS with brass				
Control Tubing	SS / PE				
Drain Valve	PP				

SmartClean VHO Filter

Model 20R

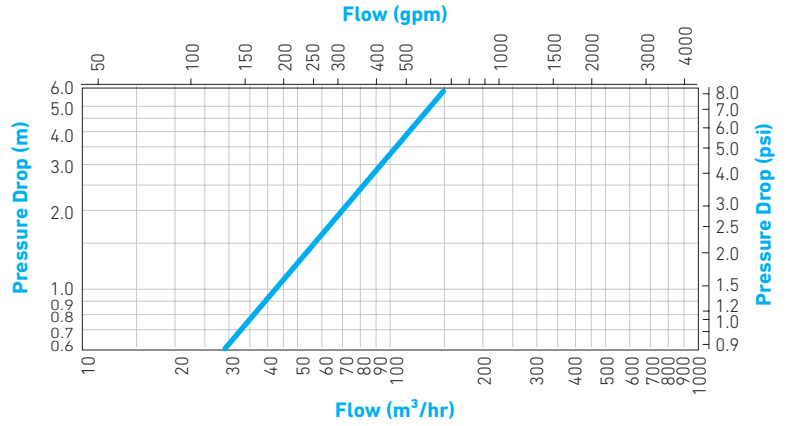
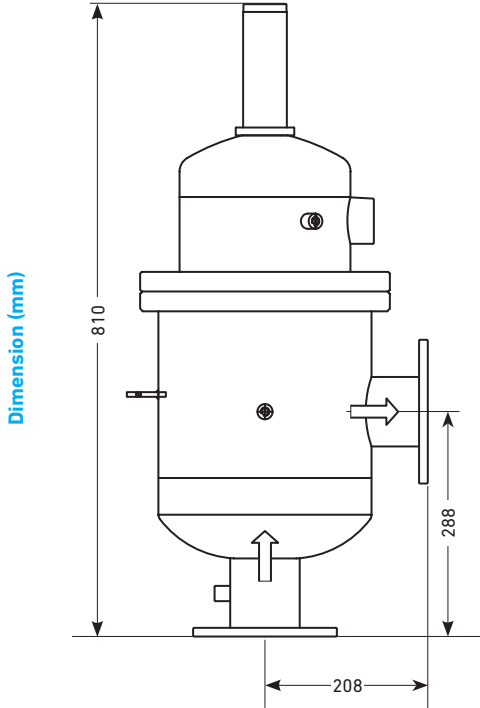


Model 25R

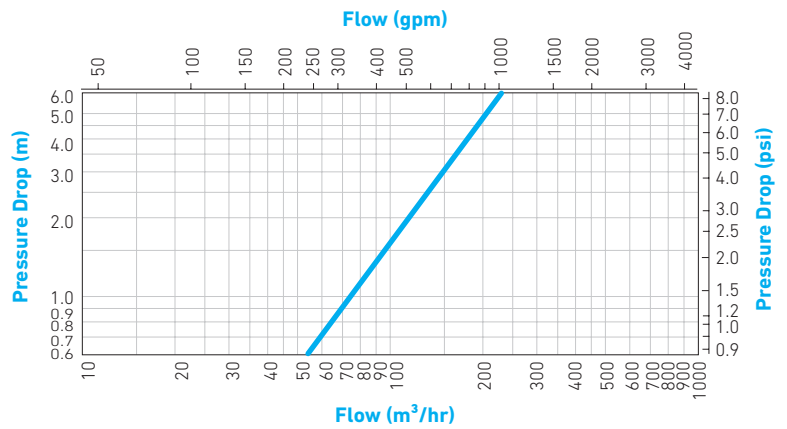
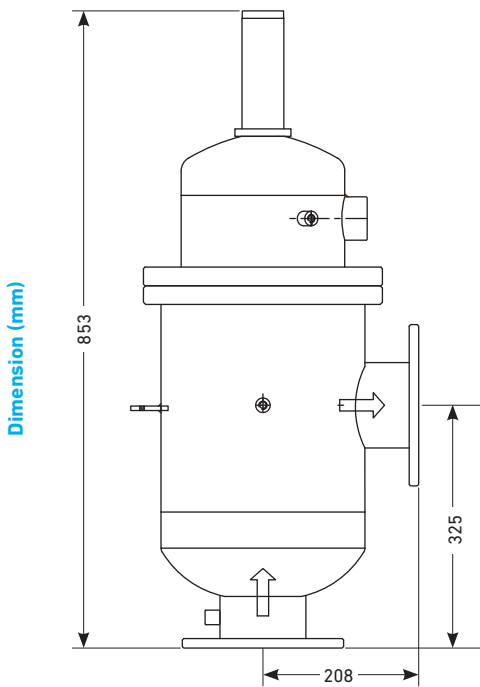


SmartClean VHO Filter

Model 30R



Model 40R



SmartClean VHO Filter

Spare Part Guide

Sr.	Description	Model		
		20R	25R	
1	Filter Body	JSCVH0025BC	JSCVH0040BC	
2	Filter Body "O" Ring	EPDMORINGID2468CS7	EPDMORINGID2468CS7	
3	SmartClean Filter Element "O" Ring	EPDMORINGID209CS6	EPDMORINGID209CS6	
4	SmartClean Filter Element	JSCVHOSCR1200	JSCVHOSCR1200	
5	Dirt Collecting Shaft Assembly	JSCVH050COLSA	JSCVH050COLSA	
6	Filter Top Cover	JSCVHOTCC	JSCVHOTCC	
7	Pipe Nipple, 40 mm Ø	MSN1580	MSN1580	
8	Purge Valve	HVP15A	HVP15A	
9	Hydraulic Cylinder Assembly	JSCVHOHYCYLAS1Y	JSCVHOHYCYLAS1Y	
10	Tubing assembly kit	SS Tubing	JSCVH012SSTUBEASLY	JSCVH012SSTUBEASLY
		PE Tubing	JSCVH012PETUBEASLY	JSCVH012PETUBEASLY
11	Filt-O-Clean backwash controller	JSCFBC1FDCJB	JSCFBC1FDCJB	
12	Differential Pressure Switch	PDSWDGC320GS	PDSWDGC320GS	
13	Suction Nozzle	JSCNOZZLEASSLY	JSCNOZZLEASSLY	
14	Filter for Tubing	JPSF03SC	JPSF03SC	
15	Rotor	JSCPVCVHOROTOR	JSCPVCVHOROTOR	

Sr.	Description	Model		
		30R	40R	
1	Filter Body	JSCVH0050BC	JSCVH0080BC	
2	Filter Body "O" Ring	EPDMORINGID2468CS7	EPDMORINGID2468CS7	
3	SmartClean Filter Element "O" Ring	EPDMORINGID209CS6	EPDMORINGID209CS6	
4	SmartClean Filter Element	JSCVHOSCR1200	JSCVHOSCR1600	
5	Dirt Collecting Shaft Assembly	JSCVH050COLSA	JSCVH080COLSA	
6	Filter Top Cover	JSCVHOTCC	JSCVHOTCC	
7	Pipe Nipple, 40 mm Ø	MSN1580	MSN1580	
8	Purge Valve	HVP15A	HVP15A	
9	Hydraulic Cylinder Assembly	JSCVHOHYCYLAS1Y	JSCVHOHYCYLAS1Y	
10	Tubing assembly kit	SS Tubing	JSCVH012SSTUBEASLY	JSCVH016SSTUBEASLY
		PE Tubing	JSCVH012PETUBEASLY	JSCVH016PETUBEASLY
11	Filt-O-Clean backwash controller	JSCFBC1FDCJB	JSCFBC1FDCJB	
12	Differential Pressure Switch	PDSWDGC320GS	PDSWDGC320GS	
13	Suction Nozzle	JSCNOZZLEASSLY	JSCNOZZLEASSLY	
14	Filter for Tubing	JPSF03SC	JPSF03SC	
15	Rotor	JSCPVCVHOROTOR	JSCPVCVHOROTOR	

