

SmartClean HHO Filter

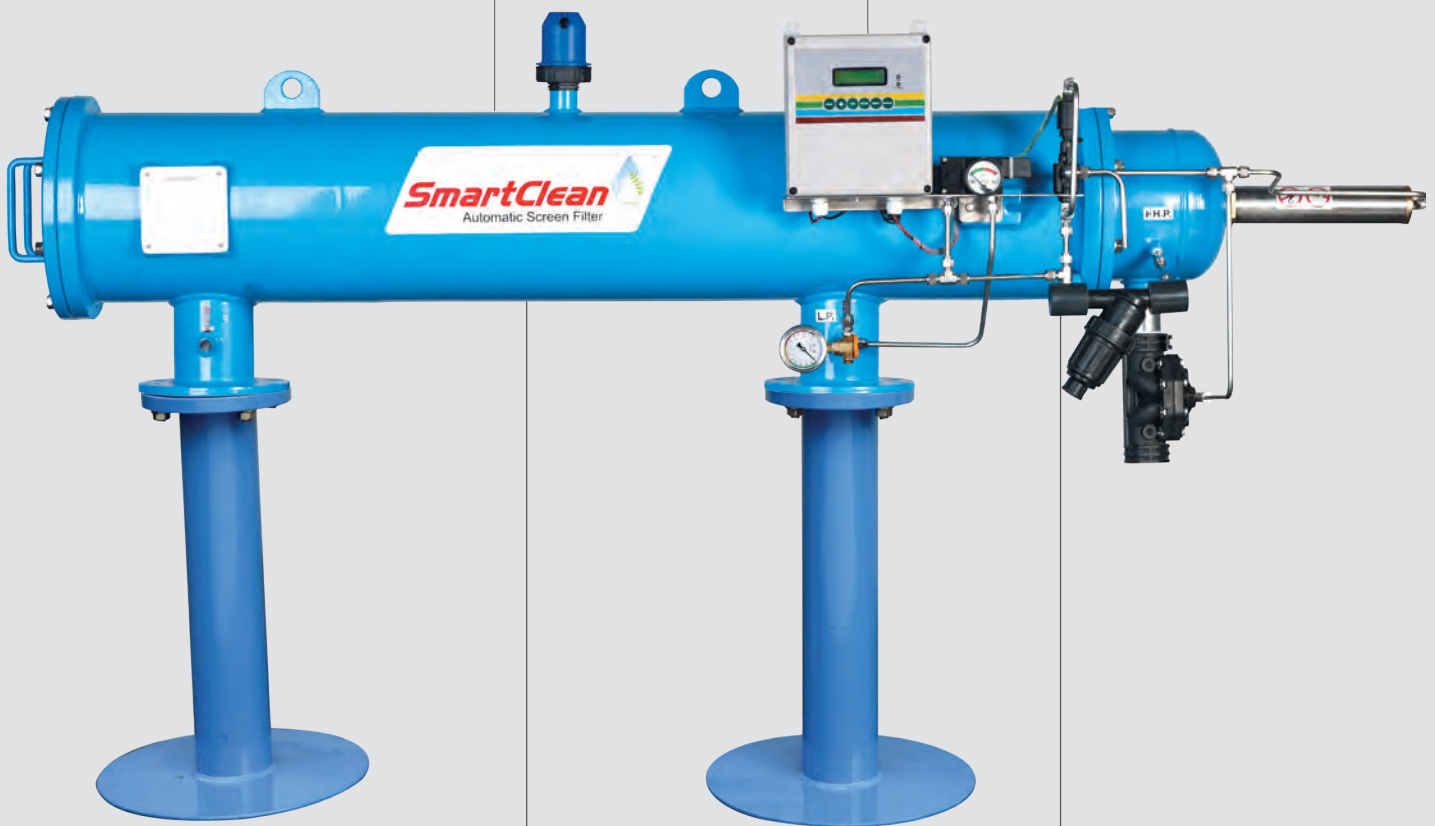
Hydraulic Piston

Reliable, smooth and low pressure operating hydrophilic piston mounted in stainless steel cylinder



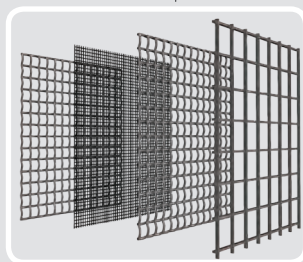
Equipped with smart backflush controller

Equipped with smart backflush controller – Filt-O-Clean Plus which controls and monitors flushing cycles smartly.



Choice of Filtration Degree

Filtration available with following degree as 80, 100, 125, 200 & 300 micron

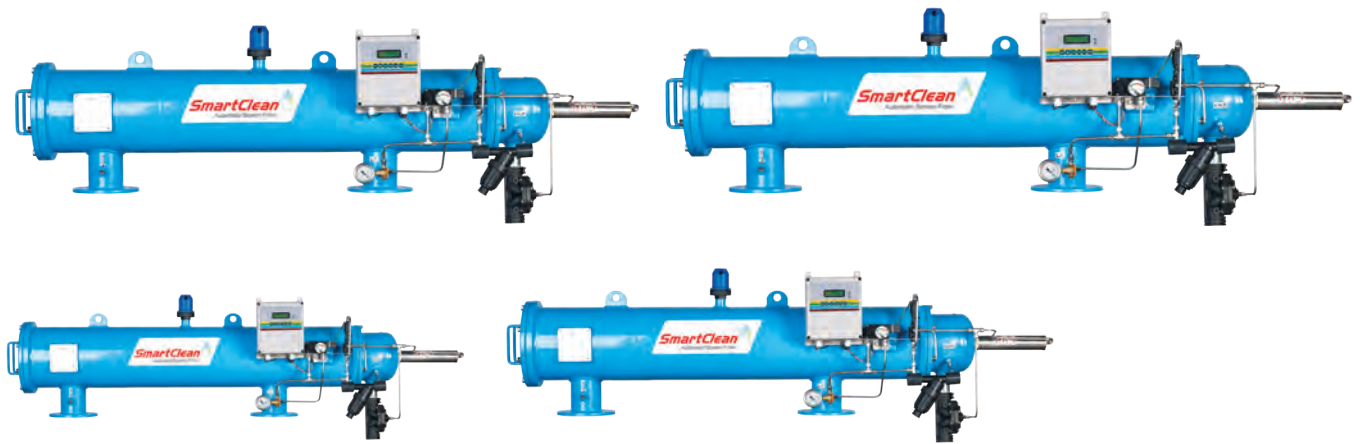


Self-Suction Cleaning Mechanism

Cleaning of the filter is carried out by the suction smart scanner which rotates spirally across the screen



SmartClean HHO Filter

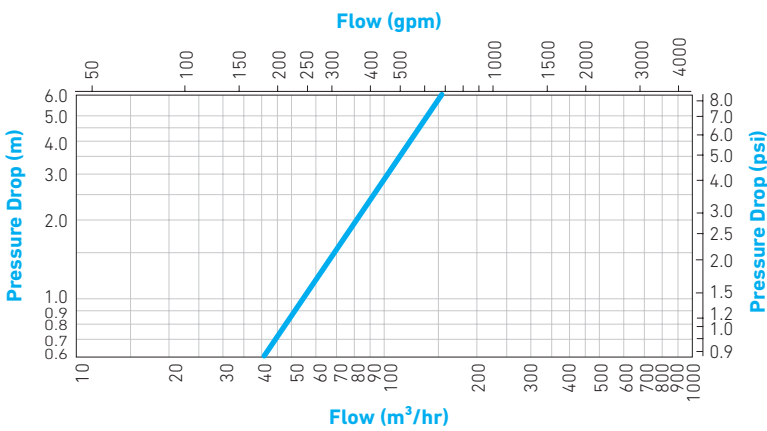
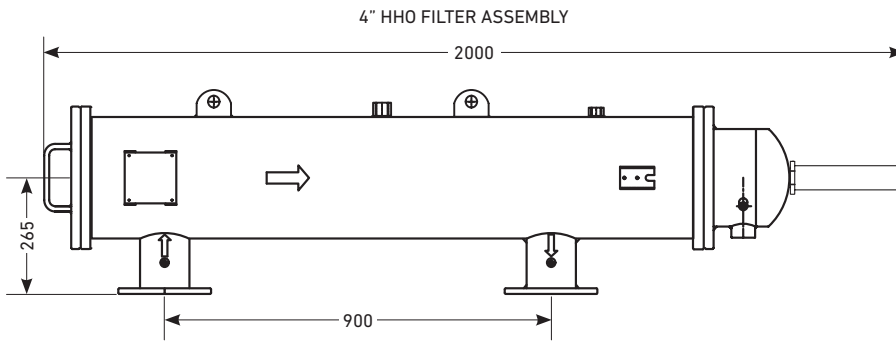


Specifications

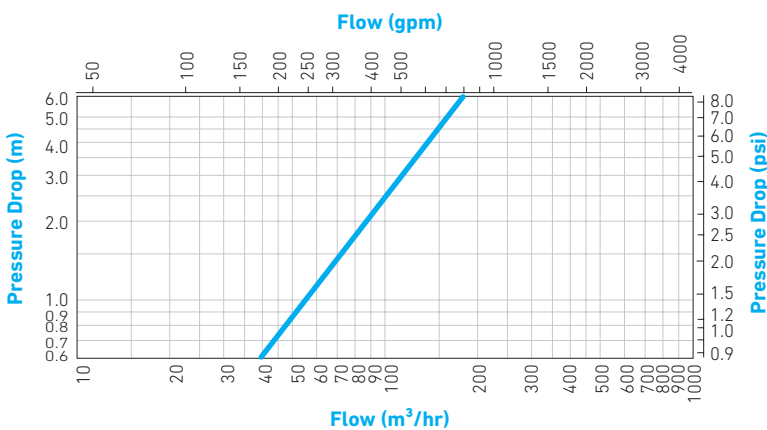
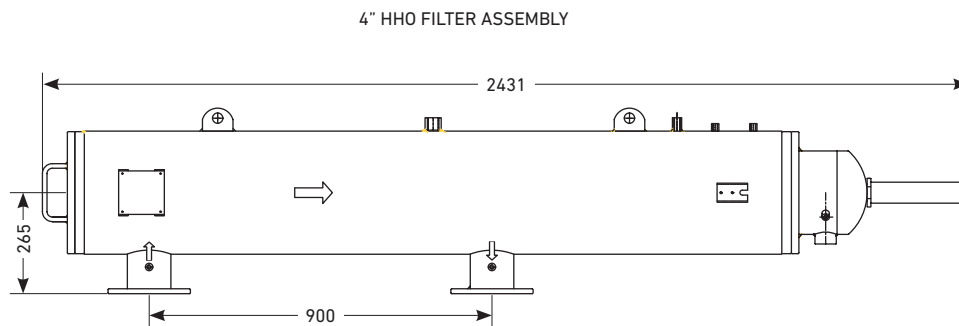
Model	Type	40R	40L	60R	60L	80R	100R
Inlet /outlet connection (inch)	inch	4"	4"	6"	6"	8"	10"
Filtration area	(cm ²)	5000	6800	5000	6800	6800	6800
	(inch ²)	775	1054	775	1054	1054	1054
Nominal Flowrate	m ³ /hr	100	110	200	225	270	280
	US gpm	440	484	880	990	1188	1232
Filtration Degree	micron	80, 100, 125, 200, 300					
Minimum Working Pressure	bar	2					
	psi	28					
Maximum Working Pressure	bar	10					
	psi	142					
Maximum Working Temperature	Deg C	60					
	Deg F	140					
Gross Weight	Kg	182	216	215	245	247	254
	lbs	400	475	473	539	543	558
Screen Type	Multilayer dutch weave screen						
Drain Connection Size	inch	2"					
Minimum Flow for Flushing (at 2 bar - 29 psi)	m ³ /hr	14	20	21	23	24	36
	US gpm	62	88	92	101	106	158
Volume of Flush Water (at 2 bar - 29 psi)	liter	80	111	117	122	134	200
	gallon	21	29	31	32	35	53
Duration of Flushing	sec	20	20	20	20	20	20
Flushing Condition	Automatic based on differential pressure of 0.6 bar (8.5 psi) and /or time based						
Filter construction materials							
Filter housing	Epoxy coated carbon steel ASTM - A53 / A106 (Stainless steel 316L on request)						
Filter Lid	Epoxy coated carbon steel ASTM - A53 / A106 (Stainless steel 316L on request)						
Housing seal	EPDM & NBR						
Cleaning Mechanism	Collecting Shaft: Stainless Steel 316L; Nozzle: Nylon						
Filter Element	Stainless Steel 316L						
Piston	PP with NBR seal						
Cylinder	SS and Brass						
Control Tubing	SS/PE						
Drain Valve	PP						

SmartClean HHO Filter

Model 40R



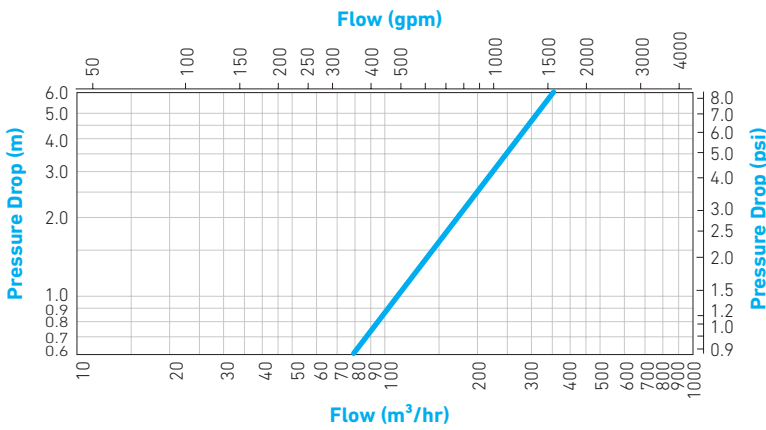
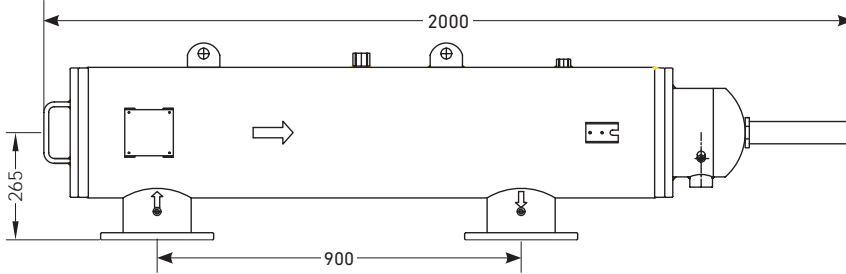
Model 40L



SmartClean HHO Filter

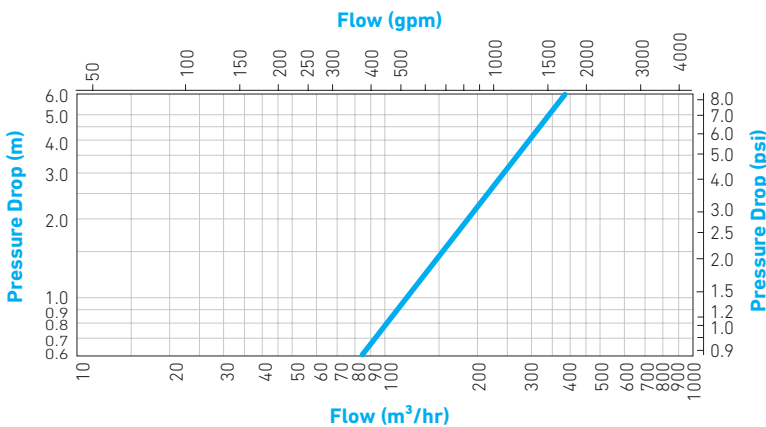
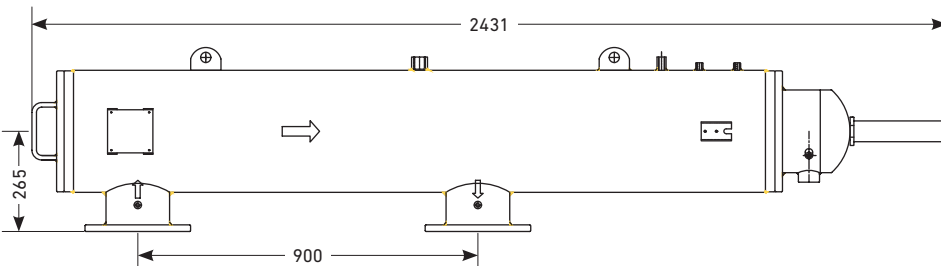
Model 60R

6" HHO FILTER ASSEMBLY



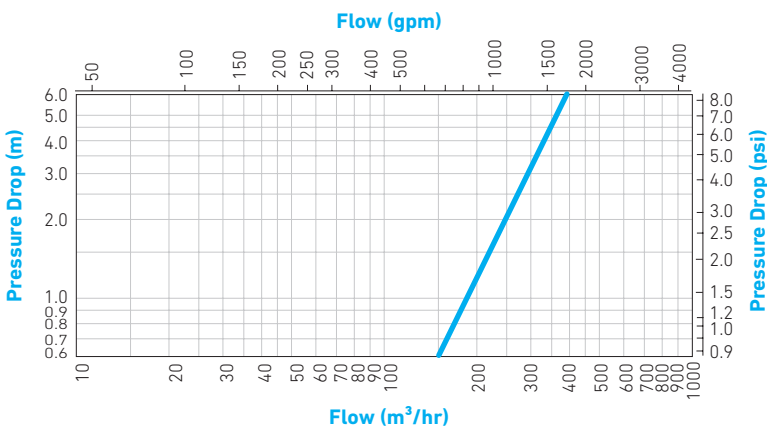
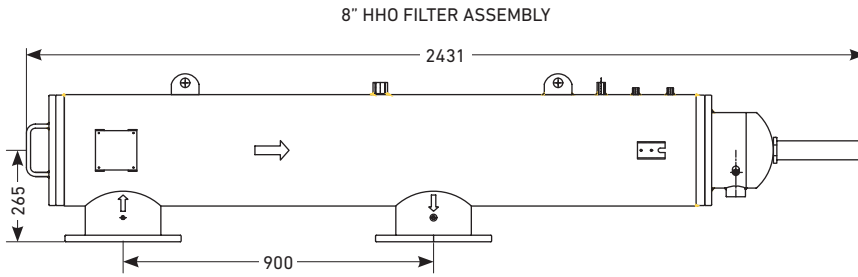
Model 60L

6" HHO FILTER ASSEMBLY

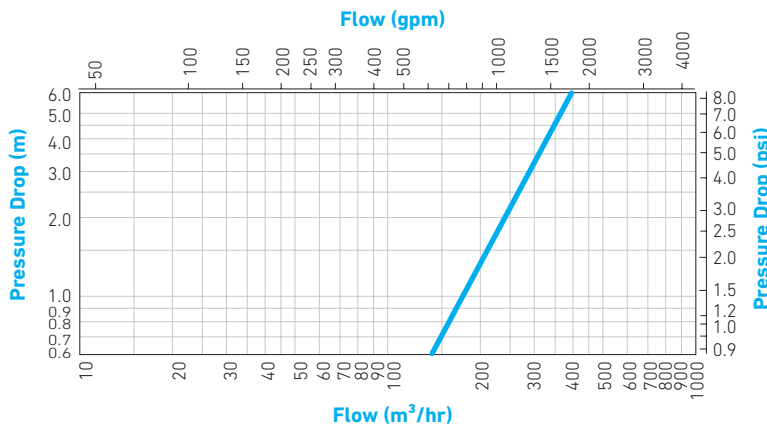
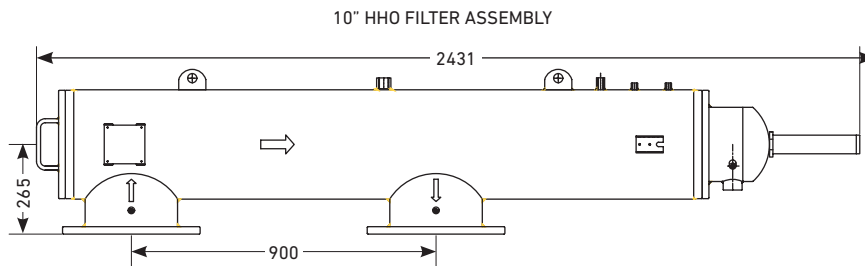


SmartClean HHO Filter

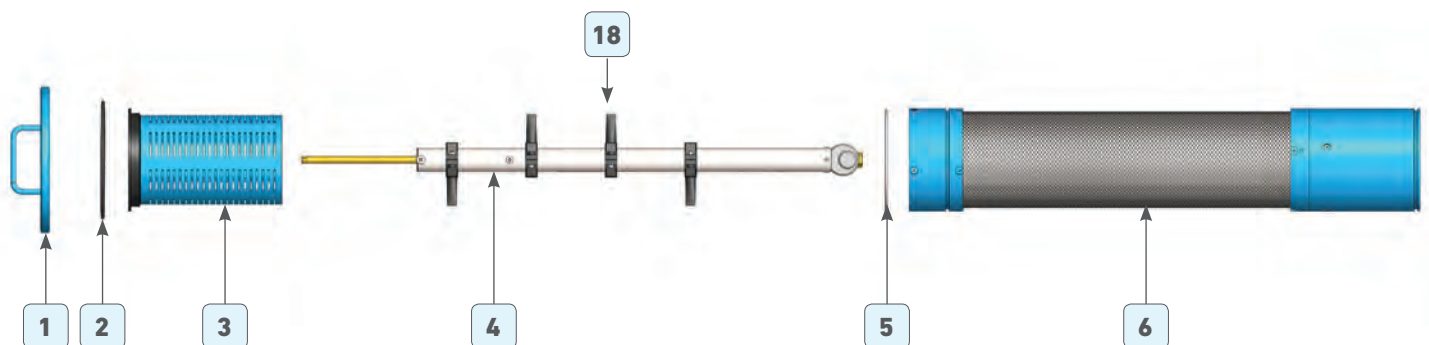
Model 80R



Model 100R



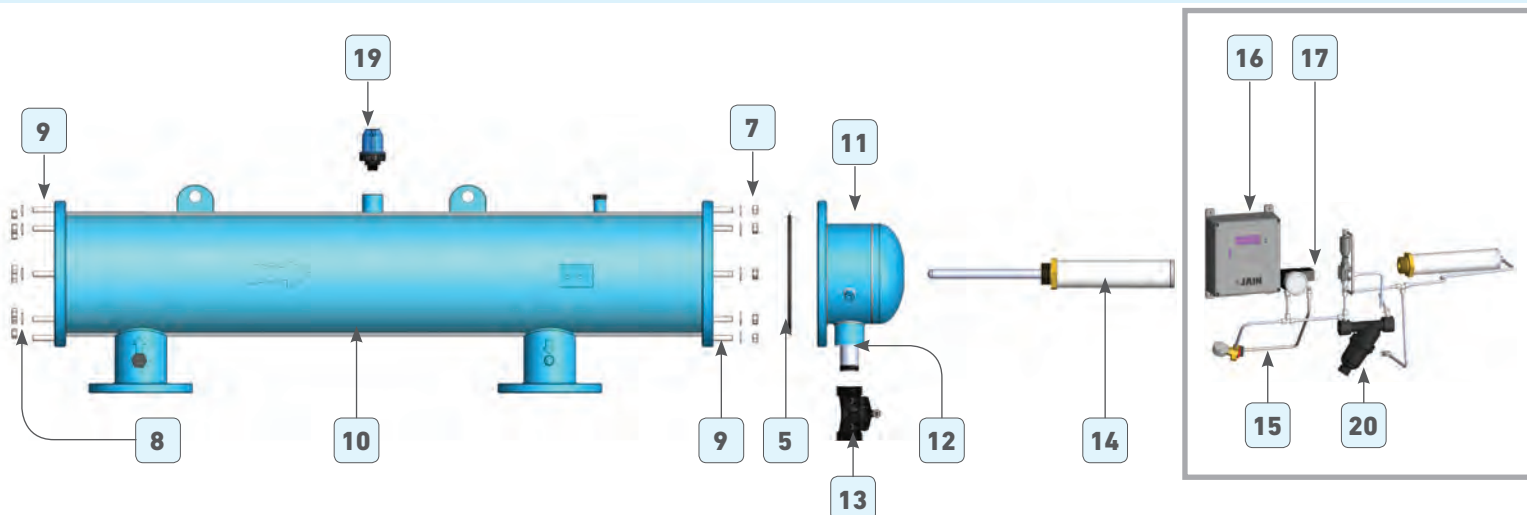
SmartClean HHO Filter



Spare Part Guide

Sr. No.	Description	Model			
		40R	40L	60R	
1	Filter Side Cover	JSSHOSCC	JSSHOSCC	JSSHOSCC	
2	Filter Side Cover "O" Ring	EPDMORINGID2468CS7	EPDMORINGID2468CS7	EPDMORINGID2468CS7	
3	SmartClean Prefilter / Coarse Filter	JSSHOPRIFILTERA	JSSHOHFPRIFILTERA	JSSHOPRIFILTERA	
4	Dirt Collecting Shaft Assembly	JSCHOCSA5000	JSCHOCSA6800	JSCHOCSA5000	
5	Element "O" Ring	EPDMORINGID209CS6	EPDMORINGID209CS6	EPDMORINGID209CS6	
6	SmartClean Filter Element	JSCHHOSCRA5000	JSCHHOSCRA6800	JSCHHOSCRA5000	
7	Hex Nut	HEXNUTSS12MM	HEXNUTSS12MM	HEXNUTSS12MM	
8	Washer For Hex Nut	SSPWM12	SSPWM12	SSPWM12	
9	Threaded Stud	STUDSS30412X55	STUDSS30412X55	STUDSS30412X55	
10	Filter Body	JSSH0100BC	JSSH0150BC	JSSH0200BC	
11	Filter Front Cover	JSSHOFCC	JSSHOFCC	JSSHOFCC	
12	Pipe Nipple, 40 mm Ø	MSN1580	MSN1580	MSN1580	
13	Purge Valve	HVP15A	HVP15A	HVP15A	
14	Hydraulic Cylinder Assembly	JSCHOHYCYLASLY	JSCHOHYCYLASLY	JSCHOHYCYLASLY	
15	Tubing assembly kit	SS Tubing	JSCHH05SSTUBEASLY	JSCHH068SSTUBEASLY	JSCHH05SSTUBEASLY
		PE Tubing	JSCHH05PETUBEASLY	JSCHH068PETUBEASLY	JSCHH05PETUBEASLY
16	Filt-O-Clean Backwash Controller	JSCFBC1FDCJB	JSCFBC1FDCJB	JSCFBC1FDCJB	
17	Differential Pressure Switch	PDSWDGC320GS	PDSWDGC320GS	PDSWDGC320GS	
18	Suction Nozzle	JSCNOZZLEASSLY	JSCNOZZLEASSLY	JSCNOZZLEASSLY	
19	Air Release Valve	ARVC100	ARVC100	ARVC100	
20	Filter for Tubing	JPSF03SC	JPSF03SC	JPSF03SC	
21	Rotor	JPCPVCHHOROTOR	JPCPVCHHOROTOR	JPCPVCHHOROTOR	

SmartClean HHO Filter



SMARTCLAN FILTERS

Sr. No.	Description	Model		
		60L	80R	100R
1	Filter Side Cover	JSSHOSCC	JSSHOSCC	JSSHOSCC
2	Filter Side Cover "O" Ring	EPDMORINGID2468CS7	EPDMORINGID2468CS7	EPDMORINGID2468CS7
3	SmartClean Prefilter / Coarse Filter	JSSHOHFPRIFILTERA	JSSHOHFPRIFILTERA	JSSHOHFPRIFILTERA
4	Dirt Collecting Shaft Assembly	JSCHOCSA6800	JSCHOCSA6800	JSCHOCSA6800
5	Element "O" Ring	EPDMORINGID209CS6	EPDMORINGID209CS6	EPDMORINGID209CS6
6	SmartClean Filter Element	JSCHHOSCRA6800	JSCHHOSCRA6800	JSCHHOSCRA6800
7	Hex Nut	HEXNUTSS12MM	HEXNUTSS12MM	HEXNUTSS12MM
8	Washer For Hex Nut	SSPWM12	SSPWM12	SSPWM12
9	Threaded Stud	STUDSS30412X55	STUDSS30412X55	STUDSS30412X55
10	Filter Body	JSSH0250BC	JSSH0300BC	JSSH0400BC
11	Filter Front Cover	JSSHOFCC	JSSHOFCC	JSSHOFCC
12	Pipe Nipple, 40 mm Ø	MSN1580	MSN1580	MSN1580
13	Purge Valve	HVP15A	HVP15A	HVP15A
14	Hydraulic Cylinder Assembly	JSCH0HYCYLASLY	JSCH0HYCYLASLY	JSCH0HYCYLASLY
15	Tubing assembly kit	SS Tubing	JSCHH068SSTUBEASLY	JSCHH068SSTUBEASLY
		PE Tubing	JSCHH068PETUBEASLY	JSCHH068PETUBEASLY
16	Filt-O-Clean Backwash Controller	JSCFBC1FDCJB	JSCFBC1FDCJB	JSCFBC1FDCJB
17	Differential Pressure Switch	PDSWDGC320GS	PDSWDGC320GS	PDSWDGC320GS
18	Suction Nozzle	JSCNOZZLEASSLY	JSCNOZZLEASSLY	JSCNOZZLEASSLY
19	Air Release Valve	ARVC100	ARVC100	ARVC100
20	Filter for Tubing	JPSF03SC	JPSF03SC	JPSF03SC
21	JSCPVCHHOROTOR	JSCPVCHHOROTOR	JSCPVCHHOROTOR	JSCPVCHHOROTOR