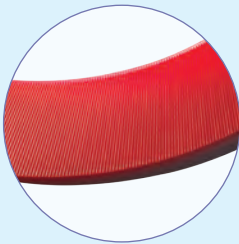


L Disclean® ML - Classic

Precise 3D Filtration



Features & Benefits



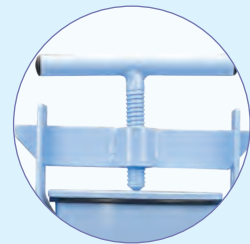
Radially Convergent Grooved Discs

Disclean® element with strong, precision engineered and radially grooved disc to provide fine three dimensional filtration. (Flow direction Out to In)



Special Filter Design

Tangential inlet protects the screen from direct impact of sharp/angular particles



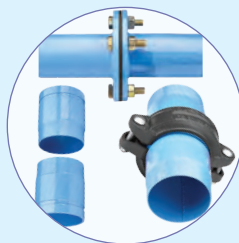
Easy for Maintenance

Strong and smooth opening and closing for cleaning disc element



Standard Epoxy Coating for Protection from Corrosion

Coated with more than 70 micron thick light blue coloured epoxy powder from both inside and outside surface for protection against corrosion and weather effects



Various Connection Options Available

Threaded connection, Flanged connection or Easy Fix™ connection available



Draining Facility Available

Slant drain valve position at the bottom facilitates effective flushing

L Disclean® ML – Classic

Additional Features

- Mild steel construction.
- Disc element construction allows easy cleaning under flowing water.
- Available in standard mesh of 100 micron size. (other mesh sizes available On demand).
- Flow direction from outside of the filtering element to inside. (Out to In)
- Maximum operating pressure 6 kg/cm² (142 psi).
- On demand, Disclean - ML can also be supplied with automatic flushing option.
- Disclean - ML filter can also be supplied with stainless steel body.
- Can be supplied in multiple batteries option.

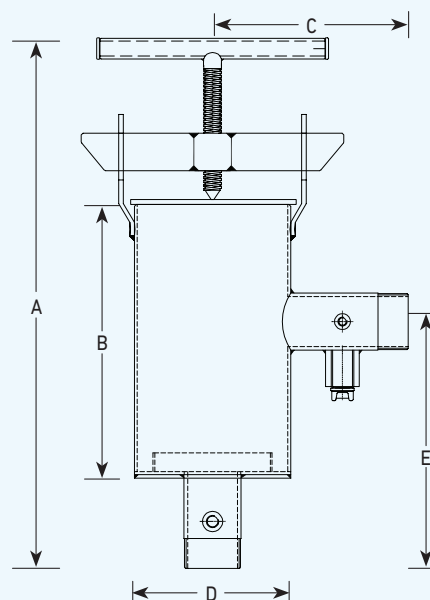
Applications

- Prevents irrigation system clogging from physical contaminants.system.

Technical Specifications

Nominal Flow Rate		Inlet/ Outlet Connection inch	Screen Surface Area m ²	Gross Weight	
m ³ /hr	gpm			kg	lbs
25	110	2"	0.095	11	24.3
40	176	2½"	0.138	13	28.7
40	176	3"	0.140	13	29.1
50	200	3"	0.166	14	30.9

Dimensional Specifications



Nominal Flow Rate		A	B	C	D	E
m ³ /hr	gpm	mm	mm	mm	mm	mm
25	110	565	292	208	165	263
40	176	690	417	208	165	388
40	176	690	417	208	165	388
50	200	773	500	208	165	417

Clean Pressure Drop Chart

Size inch	Flow m ³ /hr	K	m	Pressure Drop (kg/cm ²) - w.r.t. Flow (m ³ /hr)												
				5	10	15	20	25	30	40	50	60	70	80	90	100
2	25	0.011	0.091	0.02	0.03	0.04	0.07	0.11	0.17	0.41	1.02	2.53	-	-	-	-
2½	40	0.028	0.040	0.03	0.04	0.05	0.06	0.08	0.09	0.14	0.21	0.31	0.46	0.68	1.02	1.52
3	40	0.023	0.044	0.03	0.04	0.05	0.06	0.07	0.09	0.14	0.21	0.33	0.52	0.81	1.27	1.98
3	50	0.028	0.038	0.03	0.04	0.05	0.06	0.07	0.09	0.12	0.18	0.26	0.39	0.56	0.82	1.19

Governing equation, $h = k e^{m \chi}$; h = Pressure drop (kg/cm²); χ = Flow rate (m³/hr); K = Pressure drop constant; m = Flow constant (for k & m value refer table)

Note: Filters are tested under standard laboratory test conditions.

