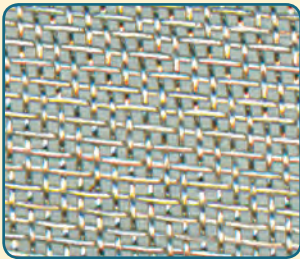


Jain Super Flow L Filter



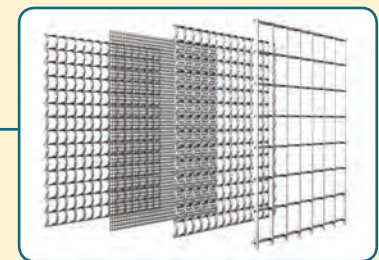
Twill Weave Screen
Twill weave screen assures high performance and effective filtration



Unique Smart Clean Element
Unique Smart Clean Element assures high performance and effective filtration.

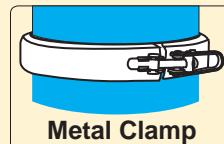
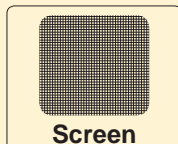


Easy for Maintenance
Smooth opening, drip-tight plastic clamp closure

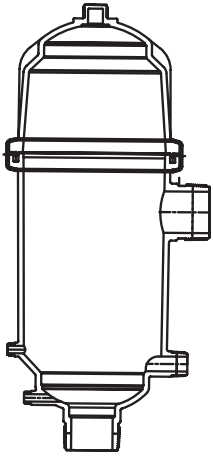


Choice of Filtration Degree
Filtration available with following degree as 80, 100, 125, 200 & 300 micron

OPTIONS



Jain Super Flow L Filter



ANGULAR



COMPACT



General Data

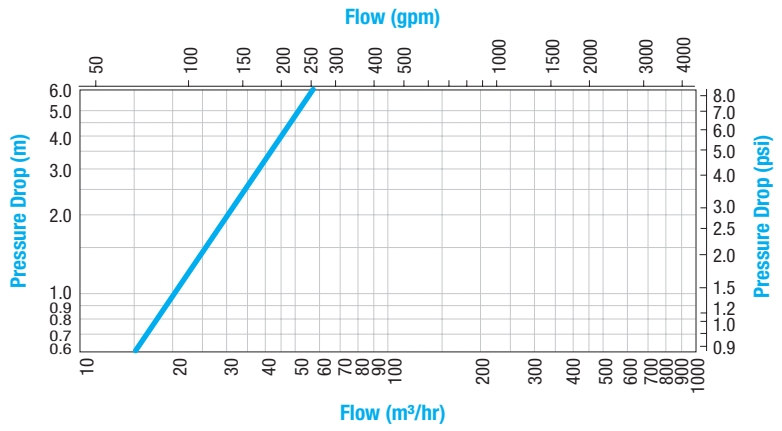
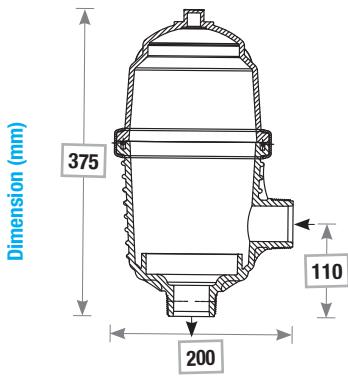
Filter	L Filter			
Model	Type	20C	20A	25C
Inlet/Outlet Diameter	inch	2"	2"	2.5"
	mm	50	50	65
Filtration area	cm ²	807	1092	1092
	in ²	125	169	169
Nominal flowrate	m ³ /h	20	25	40
	US gpm	88	110	176
Filtration degrees	micron	80, 100, 125, 200, 300		
Connection types	Type	BSP & NPT Male Threaded, Flanged & Grooved type		
Max. working pressure	bar	6		
	psi	87		
Max. working temperature	°C	60		
	°F	140		
Weight	kg	3.7	4.0	4.3
	lbs	8.2	9.9	9.5

Filter Element Details

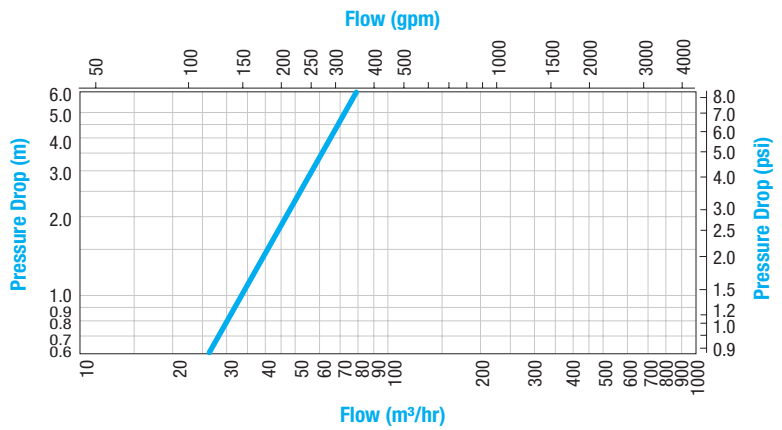
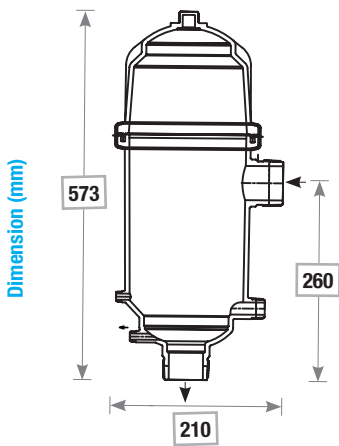
Construction Materials	Filter Housing	Glass Reinforced Polypropylene
	Filter Lid	Glass Reinforced Polypropylene
	Housing Seal	NBR
	Element	Cartridge: Ribbed PVC Screen: Twill weaved stainless steel
	Clamp	Stainless Steel / Polymer Clamp

Jain Super Flow L Filter

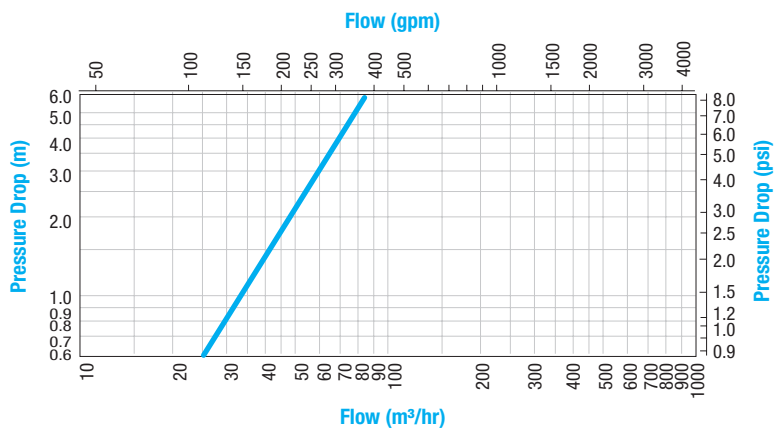
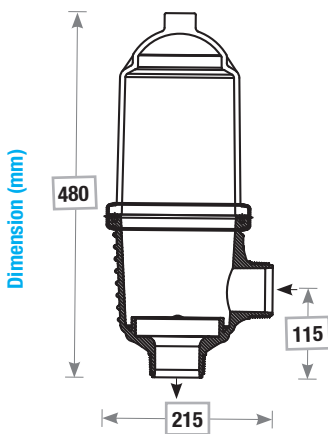
Model 20C



Model 20A



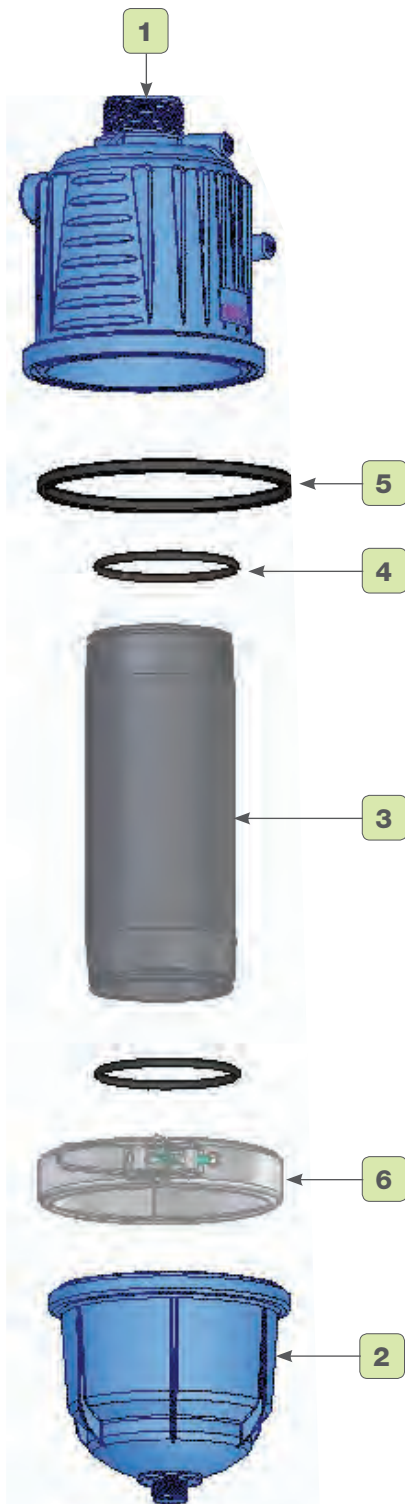
Model 25C



Jain Super Flow L Filter

Spare Part Guide

Jain Super Flow Plus L Filter



Part No.	Description	Code		
		20C	20A	25C
1	Filter Body BSPT	BJPSF2BNDB	BJPSF2BDB	BJPSF25BNDB
	Filter Body NPT	BJPSF2BNNDB	BJPSF2NDB	BJPSF25BN-NDB
	Filter Body Grooved	BJPSF2WDB	BJPSF2WVDB	BJPSF25WVDB
2	Filter Cap	SCFC25PDB	SCFC25PDB	SCFC25PNDB
3	Filter Element	SCFE20PE	SCFE40PN	SCFE40PN
4	Element "O" Ring	SFE025E	SFE025E	SFE025E
5	Body "O" Ring	SFSR25E	SFSR25E	SFSR25E
6	Clamp	SFC25E	SFC25E	SFC25E