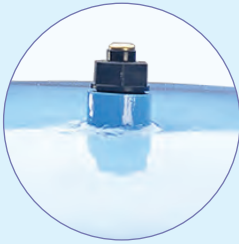


Filtro Master™ Multiple

A Series for Clean Flow



Features & Benefits



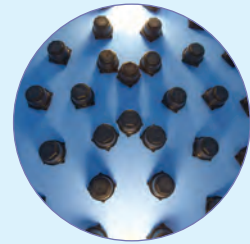
Vacuum Releasing Facility

Vacuum breaker provided on top of filter to release air / vacuum at start or end of system (from 2" onwards)



High Quality Silica Sand as Media

Filtration media is crushed silica sand/quartz gravel of particle size 1 mm to 2 mm (0.039 to 0.078 inch).



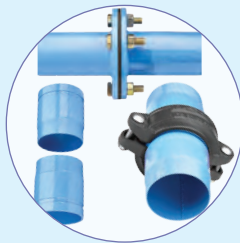
Innovative Mushroom Assembly

Innovative Mushroom assembly provided to pass filtered water in system.



Standard Pure Polyester / Epoxy coating for Protecting from Corrosion

Coated up to 150 micron thick deep blue colored pure Polyester powder on outer surface & Epoxy coating from inner side for protection against corrosion and weather effects



Various Connection Options Available

Threaded connection, Flanged (universal) connection or Easy Fix™ connection available



Various Options for Backwash

Available in manual, semi automatic or fully automatic backwash options

Filtro Master™ Multiple - Gold

Additional Features

- Manufactured from mild steel / HDPE as per international fabrication standards
- Designed for uniform distribution of incoming raw water over the media bed which ensures very effective filtration & backwash
- Maximum pressure rating 10 kg/cm² (142 psi)
- Standard unit consists Filtro-Master tank without manifold and accessories
- Specially designed manifold suitable for different models can be supplied as a special order

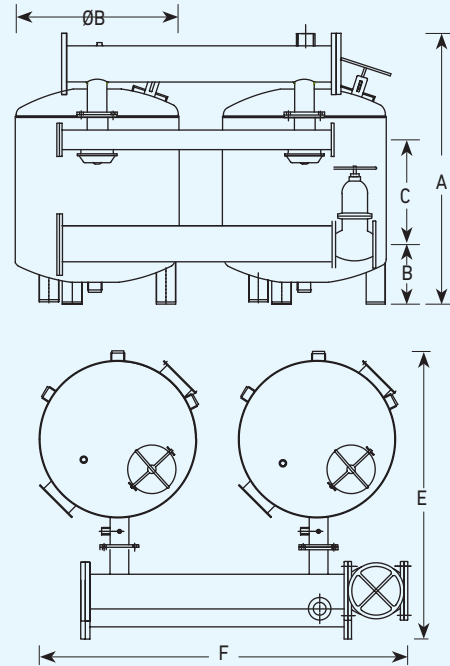
Manifold Options:

- Economical plastic manifold for Filtro-Master single tank unit manual backwash option.
 - For other models, manifold assembled using metal pipes are available.
 - On demand, manifolds can be supplied in custom sizes to meet the customers requirement.
- Filtro-Master filter can also be supplied with stainless steel body
 - Optional multi tank modules for higher filtration capacity available

Applications

- Prevents blockage of irrigation system due to organic impurities.

Dimensional Specifications



Nominal Flow Rate		A	B	C	D	E		F
m ³ /hr	gpm	mm						
80	303	1060	750	480	300	2150	1790	1600
120	454	1085	900	480	300	2275	1920	1900
180	681	1085	900	480	300	2100	1570	2900

Technical Specifications

Nominal Flow Rate		Inlet/Outlet Size	Back Wash /By Pass	Flow per unit area	**Back Wash Flow	Quantity of Media		Gross Weight			
m ³ /hr	gpm					kg	lbs	Manual		Semi / Fully Automatic	
		inch	inch	m ³ /hr/m ²	m ³ /hr	kg	lbs	kg	lbs	kg	lbs
80	303	4"	2"	90	20	480	1056	470	1034.0	462	1016.4
120	454	6"	2"	94	29	780	1716	490	1078.0	520	1144.0
180	681	6"	2"	94	29	1200	2640	1042	2292.4	1290	2838.0

** Backwash flow for single tank.

Clean Pressure Drop Chart

Size	Flow	K	m	Pressure Drop(kg/cm ²) w.r.t. Flow (m ³ /hr)															
				60	70	80	90	100	110	120	130	150	170	180	190	200			
4	80	0.068	0.023	0.26	0.33	0.41	0.52	0.65	0.81	1.02	1.28	2.01	3.15	3.95	4.952	6.207			
6	120	0.04	0.017	0.11	0.13	0.16	0.19	0.22	0.26	0.31	0.37	0.52	0.74	0.87	1.04	1.23			
6	180	0.052	0.013	0.11	0.13	0.15	0.17	0.19	0.22	0.25	0.28	0.37	0.48	0.54	0.62	0.7			

Governing equation, $h = k e^{m \chi}$; $h =$ Pressure drop (kg/cm²); $\chi =$ Flow rate (m³/hr); $K =$ Pressure drop constant; $m =$ Flow constant (for k & m value refer table). Note: Filters are tested under standard laboratory test conditions.

Ordering Specifications

FM	XXX	X	X	X
	Flow (m ³ /hr)	No. of Units	Type of Manifold	Manifold Option
	080; 120	D - Duplex	M - Metal	M - Manual Backwash S - Semi Auto Backwash F - Fully Auto Backwash
	180	T - Triplex	M; - Metal	

Example: FM040SPM - This code represents Filtro- Master™ having flow rate of 40 m³/hr, single unit, plastic manifold with manual backwash type manifold.

Note: Filtro- Master™ of any other flow capacity or end connections can be supplied On demand.