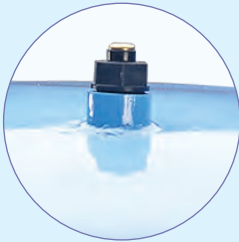


Filtro Master™

Vertical High Efficiency Filter



Features & Benefits



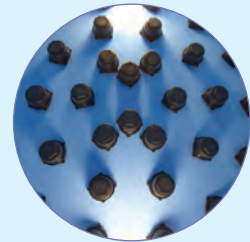
Vacuum Releasing Facility

Vacuum breaker provided on top of filter to release air / vacuum at start or end of system (from 2" onwards)



High Quality Silica Sand as Media

Filtration media is crushed silica sand/quartz gravel of particle size 1 mm to 2 mm (0.039 to 0.078 inch).



Innovative Mushroom Assembly

Innovative Mushroom assembly provided to pass filtered water in system.



Standard Pure Polyester / Epoxy coating for Protecting from Corrosion

Coated up to 150 micron thick deep blue colored pure Polyester powder on outer surface & Epoxy coating from inner side for protection against corrosion and weather effects



Various Connection Options Available

Threaded connection, Flanged (universal) connection or Easy Fix™ connection available



Various Options for Backwash

Available in semi-automatic or fully automatic backwash options.

Filtro Master™ – Gold

Additional Features

- Manufactured from mild steel as per international fabrication standards
- Designed for uniform distribution of incoming raw water over the media bed which ensures very effective filtration & backwash
- Maximum pressure rating 10 kg/cm² (142 psi)
- Standard unit consists Filtro-Master tank without manifold and accessories
- Specially designed manifold suitable for different models can be supplied as a special order

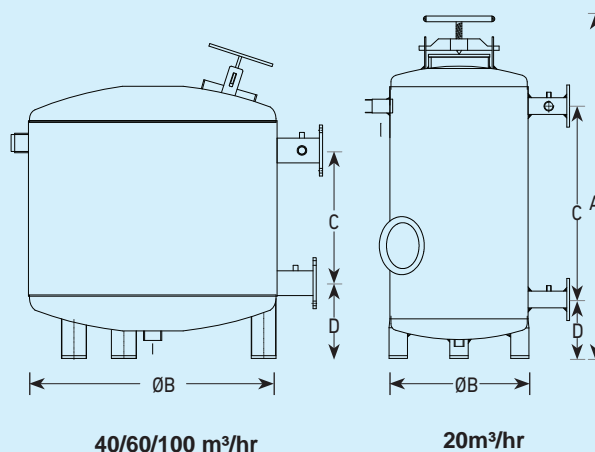
Manifold Options:

- Economical plastic manifold for Filtro-Master single tank unit manual backwash option.
 - For other models, manifold assembled using metal pipes are available.
 - On demand, manifolds can be supplied in custom sizes to meet the customers requirement.
- Filtro-Master filter can also be supplied with stainless steel body
 - Optional multi tank modules for higher filtration capacity available

Applications

- Prevents blockage of irrigation system due to organic impurities.

Dimensional Specifications



Nominal Flow Rate		A	B	C	D
m ³ /hr	gpm	mm	mm	mm	mm
20	76	1190	500	700	260
40	151	1060	750	480	300
60	227	1085	900	480	300
100	379	1085	1195	490	300

Technical Specifications

Nominal Flow Rate		Connection		Flow per unit area	Back Wash Flow	Quantity of Media		Gross Weight of Tank (without manifold & media)	
		Inlet/Outlet	Back Wash / By Pass						
m ³ /hr	gpm	inch	inch	m ³ /hr/m ²	m ³ /hr	kg	lbs	kg	lbs
20	76	2"	1½"	101	8	120	264	67	147.4
40	151	3"	2"	90	20	240	528	105	231.0
60	227	3"	2"	94	29	390	858	168	369.6
100	379	4"	2"	90	28	720	1584	200	440

Clean Pressure Drop Chart

Size	Flow	K	m	Pressure Drop(kg/cm ²) w.r.t. Flow (m ³ /hr)													
				5	10	15	20	25	30	40	50	60	70	80	90	100	
inch	m ³ /hr																
2"	20	0.06917	0.074	0.1	0.14	0.21	0.3	0.44	0.63	1.31	2.74	-	-	-	-	-	-
3"	40	0.0354	0.048	0.04	0.06	0.07	0.09	0.12	0.15	0.24	0.39	0.63	1.02	1.65	2.66	4.3	
3"	60	0.03811	0.033	0.04	0.05	0.06	0.07	0.09	0.1	0.14	0.2	0.27	0.38	0.52	0.73	1.01	
4"	100																

Governing equation, $h = k e^{m \chi}$; $h =$ Pressure drop (kg/cm²); $\chi =$ Flow rate (m³/hr); $K =$ Pressure drop constant; $m =$ Flow constant (for k & m value refer table). Note: Filters are tested under standard laboratory test conditions.

Ordering Specifications

FM	XXX	X	X	X
	Flow (m ³ /hr)	No. of Units	Type of Manifold	Manifold Option
	010 020 040 060	S - Single	P - Plastic M - Metal	M - Manual Backwash S - Semi Auto Backwash F - Fully Auto Backwash

Example: FM040SPM - This code represents Filtro-Master™ having flow rate of 40 m³/hr, single unit, plastic manifold with manual backwash type manifold. Note: Filtro-Master™ of any other flow capacity or end connections can be supplied On demand.