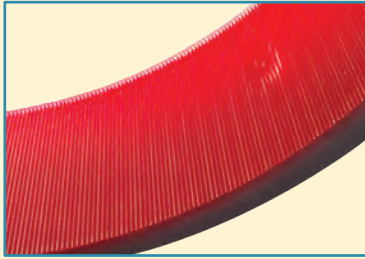
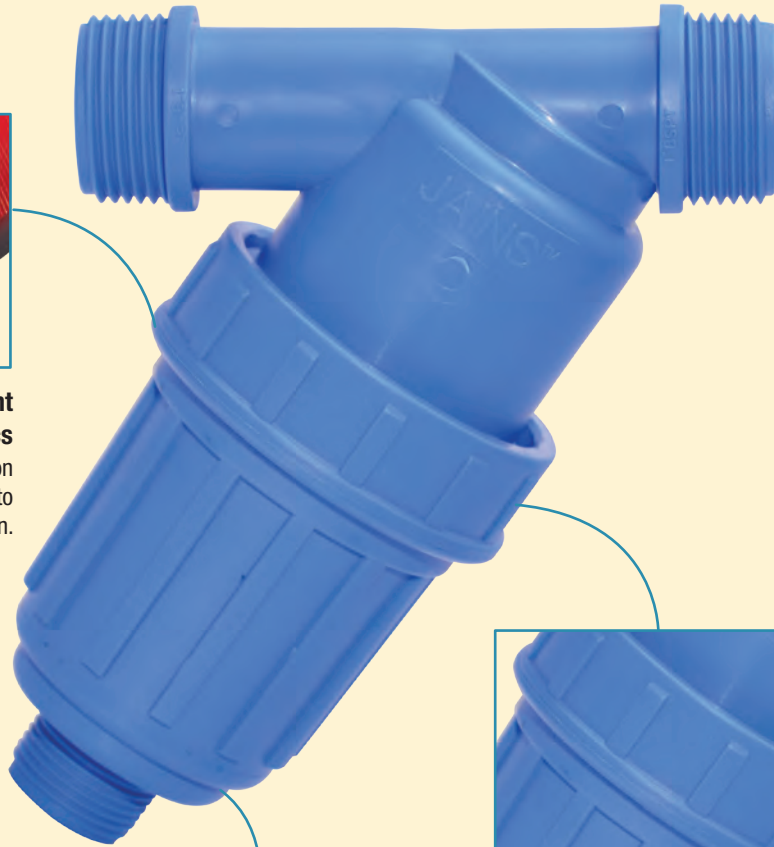


# Disclean™ Y Filter



## **Radially Convergent Grooved Discs**

Disclean® element with strong, precision engineered and radially grooved disc to provide fine three dimensional filtration.

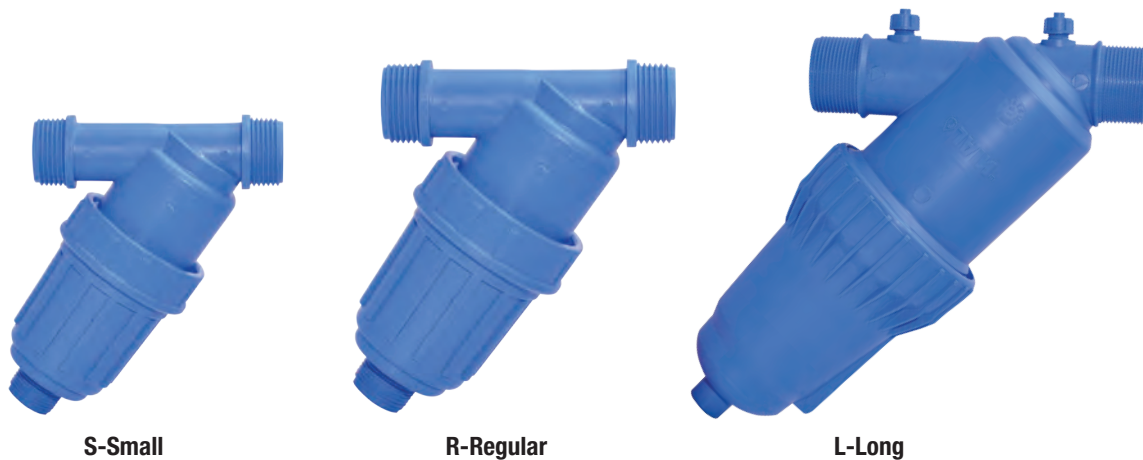


## **Easy for Maintenance**

Smooth opening,  
drip-tight closure mechanism



# Disclean™ Y Filter



S-Small

R-Regular

L-Long

## Specifications

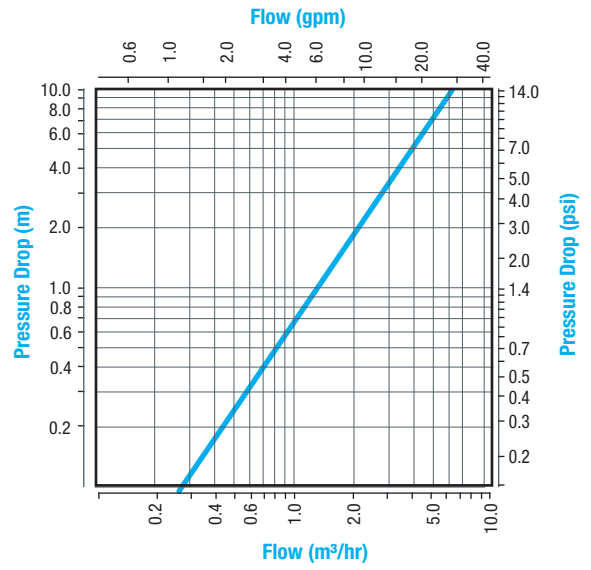
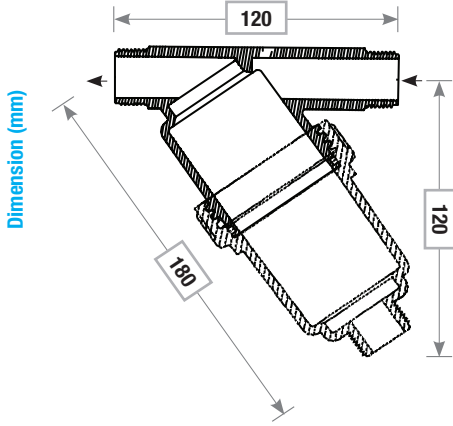
Filter	Y Filter			
Model	Type	007	010	015
Inlet/Outlet connection	inch	3/4"	1"	1.5"
	mm	20	25	40
Filtration area	cm <sup>2</sup>	142	142	459
	in <sup>2</sup>	22	22	71
Nominal flowrate	m <sup>3</sup> /h	3	7	12
	US gpm	13.2	30.8	52.8
Filtration degrees	micron	130		
Connection types	Type	BSP or NPT male threaded		
Max. working pressure	bar	8		
	psi	114		
Max. working temperature	°C	60		
	°F	140		
Gross weight	kg	0.2	0.25	1.5
	lbs	0.4	0.6	3.3
Drain connection size	inch	-		1/2

## Filter Element Details

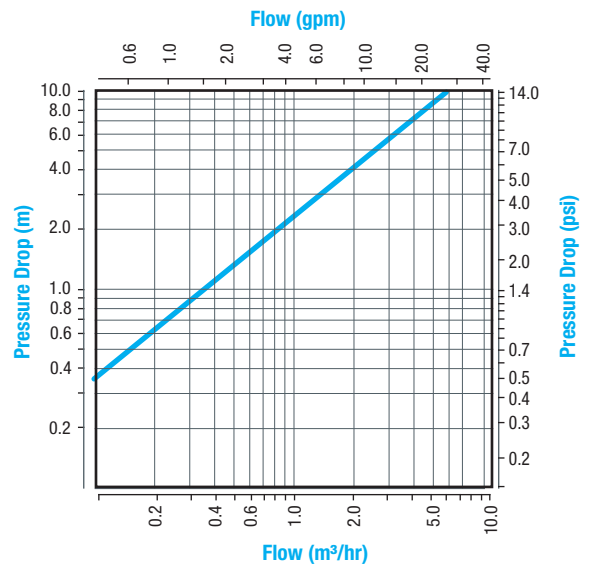
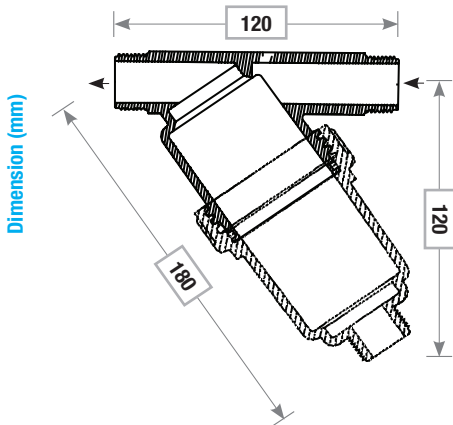
Material of Construction	Filter Housing	Polypropylene
	Filter Lid	Polypropylene
	Housing Seal	NBR
	Element	Cartridge: Polypropylene Disc: HDPE
	End Cap	Polypropylene

# Disclean™ Y Filter

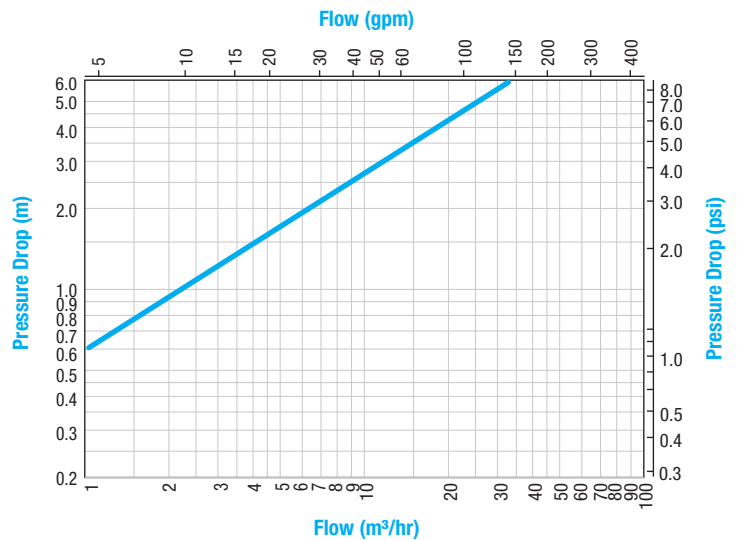
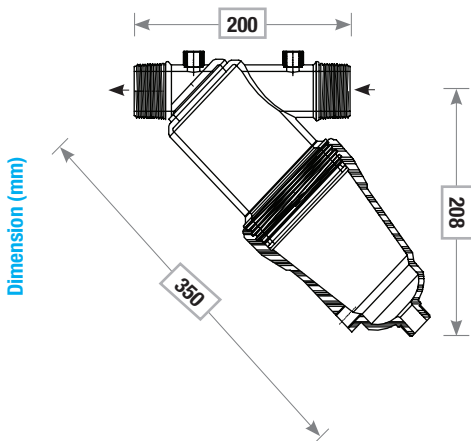
## Model 007



## Model 010



## Model 015



# Disclean™ Y Filter

## Spare Part Guide

Part No.	Description	Code		
		007	010	015
1	Filter Body BSPT	BJPSFD34BDB	BJPSFD100BDB	BJPSF15SSBDB
	Filter Body NPT	BJPSFD34NDB	BJPSFD100NDB	BJPSF15SSNDB
2	Filter Cap	SCFCD37PDB	SCFCD37PDB	SCFC12PSSDB
3	Filter Element	DCFE037P120	DCFE037P120	DEFE12P
4	Element "O" Ring	SFE037	SFE037	SFE012
5	Body "O" Ring	FBOR53P5X3	FBOR53P5X3	SFSR15
6	End Cap "O" Ring	OR18072X2062	OR18072X2062	-
7	End Cap	CFECAP25DB	CFECAP25DB	-

