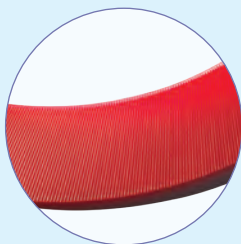


# Disclean® ML L

Angular 3D Filter

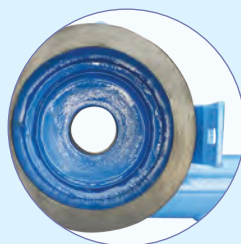


## Features & Benefits



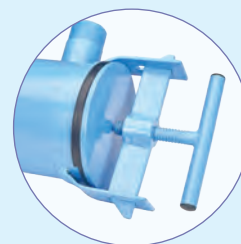
### Radially Convergent Grooved Discs

Disclean® element with strong, precision engineered and radially grooved disc to provide fine three dimensional filtration. (Flow direction Out to In).



### Special Filter Design

Tangential inlet protects the screen from direct impact of sharp/angular particles



### Easy for Maintenance

Strong and smooth opening and closing for cleaning disc element



### Standard Pure Polyester / Epoxy coating for Protecting from Corrosion

Coated up to 150 micron thick deep blue colored pure Polyester powder on outer surface & Epoxy coating from inner side for protection against corrosion and weather effects



### Various Connection Options Available

Threaded connection, Flanged (universal) connection or Easy Fix™ connection available



### Draining Facility Available

Drain valve position on upper & lower sides of the body provides installation flexibility

# Disclean® ML L – Gold

## Additional Features

- Mild steel construction.
- Disc element construction allows easy cleaning under flowing water.
- Available in standard mesh of 100 micron size. (other mesh sizes available On demand).
- Flow direction from outside of the filtering element to inside. (Out to In)
- Maximum operating pressure 10 kg/cm<sup>2</sup> (142 psi).
- On demand, Disclean - ML can also be supplied with automatic flushing option.
- Disclean - ML filter can also be supplied with stainless steel body.
- Can be supplied in multiple batteries option.

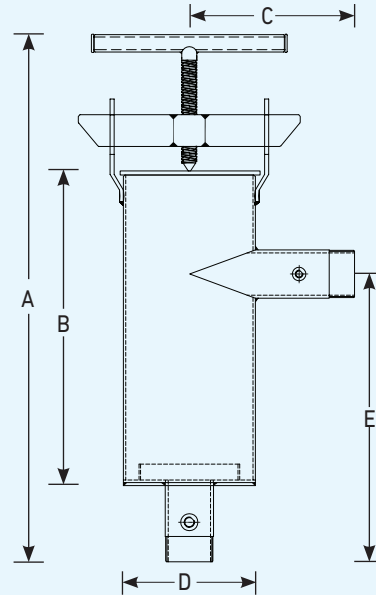
## Applications

- Efficiently prevents the irrigation system from clogging due to physical and organic impurities.

## Specifications

Nominal Flow Rate		Inlet/ Outlet Connection	Screen Surface Area	Gross Weight	
m <sup>3</sup> /hr	gpm			kg	lbs
25	95	2"	0.095	14.3	31.5
40	114	2½"	0.138	16.6	36.5
50	189	3"	0.166	20.0	44.0
60	227	4"	0.198	22.0	48.4

## Dimensional Specifications



Nominal Flow Rate		A	B	C	D	E
m <sup>3</sup> /hr	gpm	mm	mm	mm	mm	mm
25	95	535	292	180	165	302
40	114	665	417	180	165	427
50	189	745	500	180	165	510
60	227	837	592	180	165	602

## Clean Pressure Drop Chart

Size	Flow (m <sup>3</sup> /hr)	K	m	Pressure Drop(kg/cm <sup>2</sup> ) w.r.t. Flow (m <sup>3</sup> /hr)												
				5	10	15	20	25	30	40	50	60	70	80	90	100
2	25	0.02	0.075	0.03	0.04	0.06	0.09	0.13	0.19	0.4	0.85	1.79	3.79	8.02	16.95	35.83
2½	40	0.015	0.053	0.02	0.03	0.03	0.04	0.06	0.07	0.13	0.21	0.36	0.62	1.05	1.79	3.04
3	50	0.019	0.044	0.02	0.03	0.04	0.05	0.06	0.07	0.11	0.18	0.27	0.42	0.66	1.02	1.59
4	60	0.014	0.04	0.02	0.02	0.03	0.03	0.04	0.05	0.07	0.1	0.15	0.22	0.33	0.5	0.74

Governing equation,  $h = k e^{m \chi}$ ;  $h$  = Pressure drop (kg/cm<sup>2</sup>);  $\chi$  = Flow rate (m<sup>3</sup>/hr);  $K$  = Pressure drop constant;  $m$  = Flow constant (for  $k$  &  $m$  value refer table)

Note: Filters are tested under standard laboratory test conditions.

## Ordering Specifications

DC	X	X	XX
	Type	Material	Flow (m <sup>3</sup> /hr)
L - 'L' Type	M-Mild Steel S-Stainless Steel		25
			40
			50
			60

Example: DCLM25 - This code represents Disclean® - ML Deluxe filter of 25 m<sup>3</sup>/hr flow 'Y' type with mild steel construction.

Note:

- For automatic flushing change above code as DCLM25A instead of DCLM25.
- Disclean - ML Deluxe Filter of any other flow capacity or end connections can be supplied On demand.

