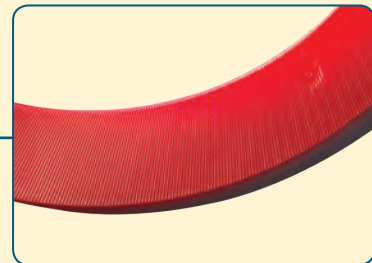


Disclean L Filter

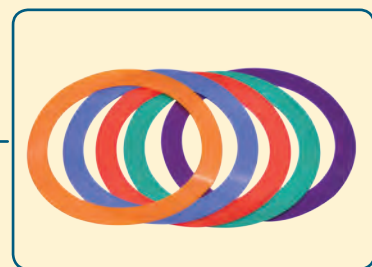


Radially Convergent Grooved Discs

Disclean® element with strong, precision engineered and radially grooved disc to provide fine three dimensional filtration.

Easy for Maintenance

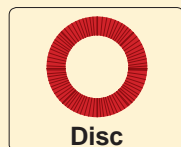
Smooth opening, drip-tight plastic clamp closure



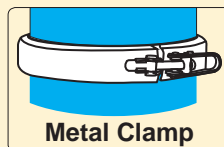
Choice of Filtration Degrees

Disclean® element with strong, precision engineered and radially grooved disc to provide fine three dimensional filtration.

OPTIONS



Disc

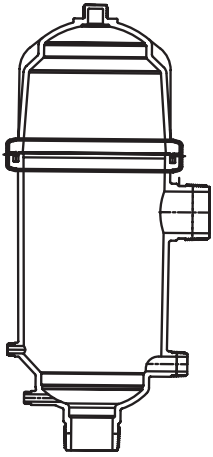


Metal Clamp



Polymer Clamp

Disclean L Filter



ANGULAR



COMPACT



General Data

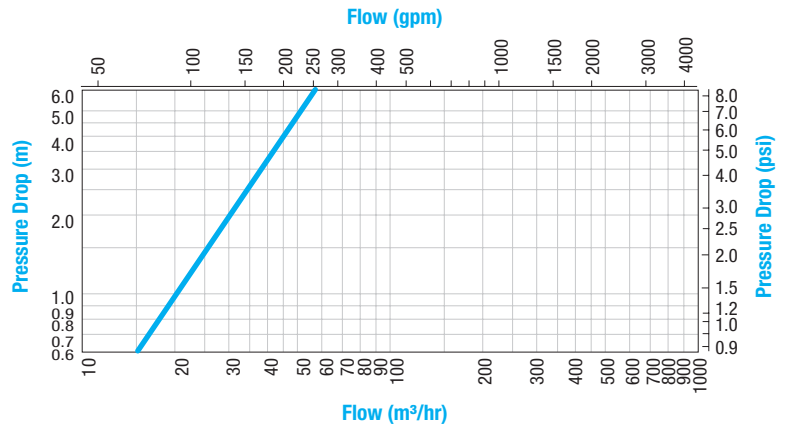
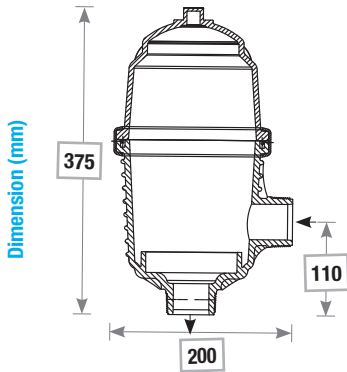
Filter	L Filter			
Model	Type	20C	20A	25C
Inlet/Outlet Diameter	inch	2"	2"	2.5"
	mm	50	50	65
Filtration area	cm ²	752	1095	1095
	in ²	116	170	170
Nominal flowrate	m ³ /h	20	25	40
	US gpm	88	110	176
Filtration degrees	micron	50, 100, 130, 200, 600		
Connection types	Type	BSP & NPT Male Threaded, Flanged, Easy Fix - Grooved		
Max. working pressure	bar	6		
	psi	87		
Max. working temperature	°C	60		
	°F	140		
Weight	kg	3.9	4.4	4.7
	lbs	8.6	9.7	10.3

Filter Element Details

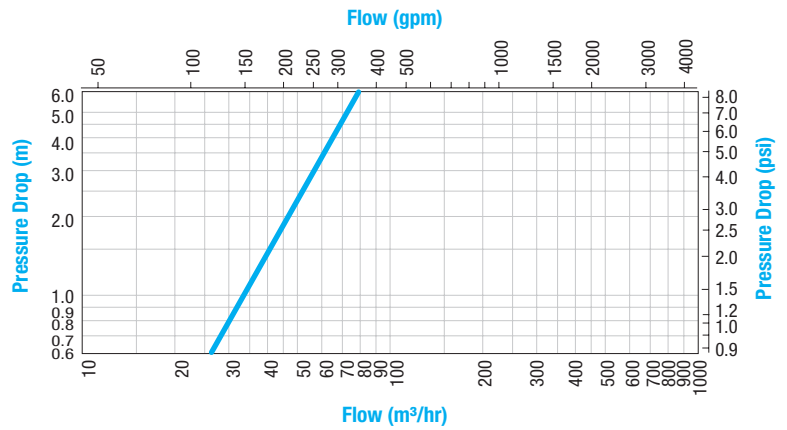
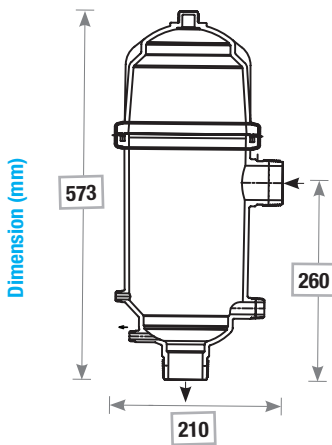
Construction Materials	Filter Housing	Glass Reinforced Polypropylene
	Filter Lid	Glass Reinforced Polypropylene
	Housing Seal	NBR
	Element	Cartridge: Polypropylene Screen: Stainless Steel
	Clamp	Stainless Steel / Polymer Clamp

Disclean L Filter

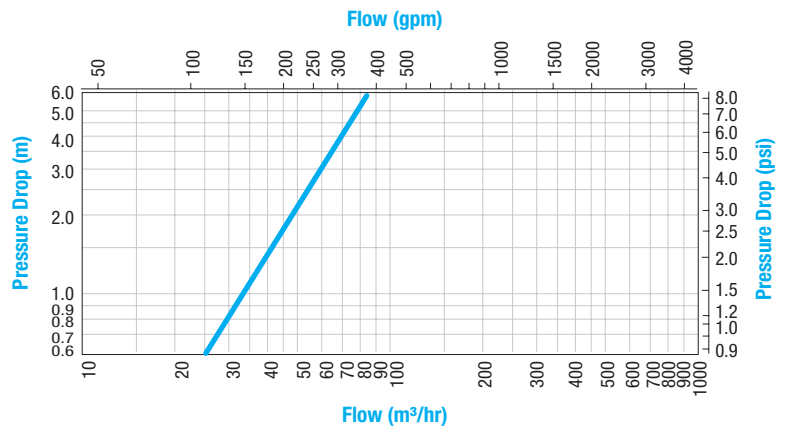
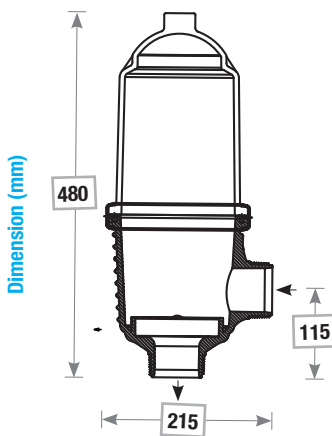
Model 20C



Model 20A



Model 25C



Disclean L Filter

Spare Part Guide

Jain Super Flow Plus L Filter



Part No.	Description	Code		
		20C	20A	25C
1	Filter Body BSPT	BJPSF2BTDB	BJPSF2BDB	BJPSF25BTDB
	Filter Body NPT	BJPSF2NTDB	BJPSF2NDB	BJPSF25NTDB
	Filter Body Grooved	BJPSF2WVDB	BJPSF2WVDB	BJPSF25WVDB
2	Filter Cap	SCFC25PDB	SCFC25PDB	SCFC25PTDB
3	Filter Element	DCFE20PE	DCFE30PS	DCFE30PS
4	Element "O" Ring	SFE025E	SFE025E	SFE025E
5	Body "O" Ring	SFSR25E	SFSR25E	SFSR25E
6	Metal Clamp	SFC25E	SFC25E	SFC25E