

# Jain Mini Air Release Valve

Quick Vacuum Expulsion Device



## Features & Benefits



### Compact Design

Innovative design manufactured from high performance engineering plastic



### Innovative Orifice Opening

Innovative orifice opening facilitates easy expulsion of air and breaking the vacuum.



### Perfect Pressure Balanced Brass Float

Perfect pressure balanced brass float with large orifice opening for quick expulsion of air and for breaking the vacuum.



### Equipped with Float O' Ring

Equipped with Float 'O' ring to prevent leakage

# Jain Mini Air Release Valve

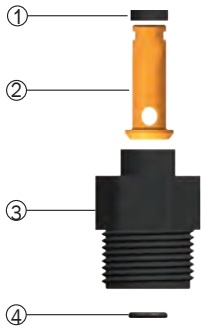
## Additional Features

- Reinforced plastic construction.
- Excellent chemical resistance.
- Available in ½", ¾" & 1" BSP male threaded end connection.
- Maximum pressure rating 6 kg/cm<sup>2</sup> (85 psi).

## Application

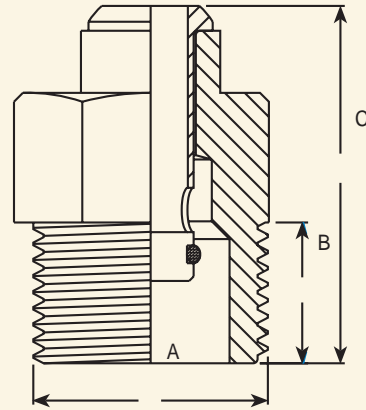
- Recommended in micro/drip irrigation systems as a safety valve to remove entrapped air and to break the vacuum in the system.
- Specially used with micro irrigation filter

## List of Spares



Sr.No.	Description	Material
1	Lock Ring	POM
2	Float	Brass
3	Body	POM
4	Float 'O' Ring	Nitrile

## Dimensional Specification



Size	A	B	C
inch	mm	mm	mm
½"	½"	13.2	31.8
¾"	¾"	15.9	40.3
1"	1"	33.0	44.0

## Ordering Specifications

MARV	XXX
	Size, inch
	012 - ½" 034 - ¾" 100 - 1"

Example: DMARV034 - This code represents Jain Mini Air Release Valve of size ¾" BSP male threaded connection.

