

Jain Air Release Valve

Effective Vacuum Breaker



Features & Benefits



Compact Design

Innovative design manufactured from high performance rigid uPVC compound



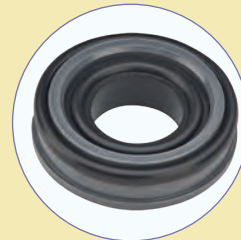
Large Orifice Opening

Large orifice opening facilitates easy expulsion of air and breaking the vacuum.



Innovative Float Design

Innovative float designed to release the air at start and at end of system



Equipped With Rubber Seal

Equipped with special rubber seal to prevent leakage

Jain Air Release Valve

Additional Features

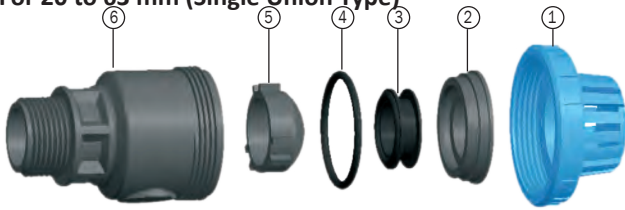
- Manufactured from high performance rigid uPVC compound.
- Excellent chemical and corrosion resistance.
- Light weight.
- Available in 20, 25 & 32 mm (PN16); 40, 50 & 63 mm (PN10) and 75 mm (PN6) sizes.
- Available in ½" to 2½" male threaded, Female threaded, Solvent weld & compression type connection options.
- Available ½" to 1" in Single Union type & 1¼" to 3" in double union type.

Application

Recommended in micro/drip irrigation systems as a safety valve to remove entrapped air and to break the vacuum in the system.

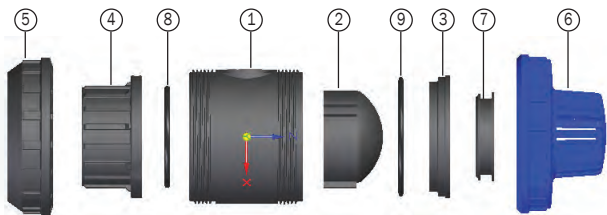
List of Spares

For 20 to 63 mm (Single Union Type)



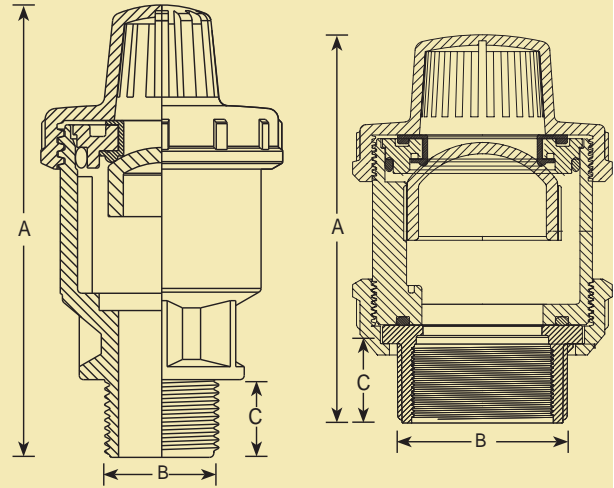
Sr	Description	Material
1	Strainer Union Nut	PVC
2	Seat Support	PVC
3	Rubber Seal	Nitrile
4	Body 'O' Ring	Nitrile
5	Float/ Ball	PVC
6	Body	PVC

For 40, 50, 63, 75 & 90 mm (Double Union Type)



Sr	Description	Material
1	Body	PVC
2	Float/ Ball	PVC
3	Seat Support	PVC
4	Socket	PVC
5	Union Nut	PVC
6	Vent Cap	PP
7	Rubber Seal	Nitrile
8	'O' Ring for Socket	Nitrile
9	'O' Ring for Seat Support	Nitrile

Dimensional Specification



Type	Size	A	B	C
Male Threaded	20	82.7	½"	15.0
	25	104.8	¾"	16.3
	32	109.0	1"	19.0
	40	130.3	1 ¼"	10.7
	50	137.3	1 ½"	9.8
	63	169.9	2"	11.2
Female Threaded / Plain	20	69.7	½"	15.0
	25	93.4	¾"	16.3
	32	94.0	1"	19.0
	40	109.8	1 ¼"	26.5
	50	127.3	1 ½"	32.8
	63	149.9	2"	59.9
Compression Type	20	96.7	20.2mm	-
	25	120.8	25.2mm	-
	32	135.0	32.2mm	-

Ordering Specifications - Single Union

ARV	XX	XX
	Size, mm	Type of Connection
20 to 63	BM - BSP male threaded	BF - BSP female threaded
	CO - Compression Type	

Example: ARV32BM - This code represents Jain Air Release Valve of the size 32 mm with BSP male threaded connection.

Ordering Specifications - Double Union

ARVT	XXX	P
	Connection Size, inch	
	1.25" - 125	
	1.5" - 15	
	2.0" - 2	
	2.5" - 25	
	3" - 3	

Example: ARVT125P - This code represents Jain Air Release Valve of the size 1.25" mm