

Jain ARV – C

Continuous Acting Air Release Valve



Features & Benefits

Compact Design
Innovative compact design
manufactured from high



Pressure Balanced Float
Perfect pressure balanced float
dynamically removes even small
air pockets

Unique Orifice Design
Unique orifice design facilitates
easy and quick expulsion of air



**Innovative Double Action
Function**
Continuous acting air release valve
that releases air entrapped in the
pipeline during start up and while
in operation continuously

**Optional Multiple Air Release
Valve Assembly**
Multiple Air Release Valve
assembly option can also be
available for bigger size pipe lines



Threaded Inlet Connection
Threaded inlet connection
available for connection with
system

Jain ARV – C

Additional Features

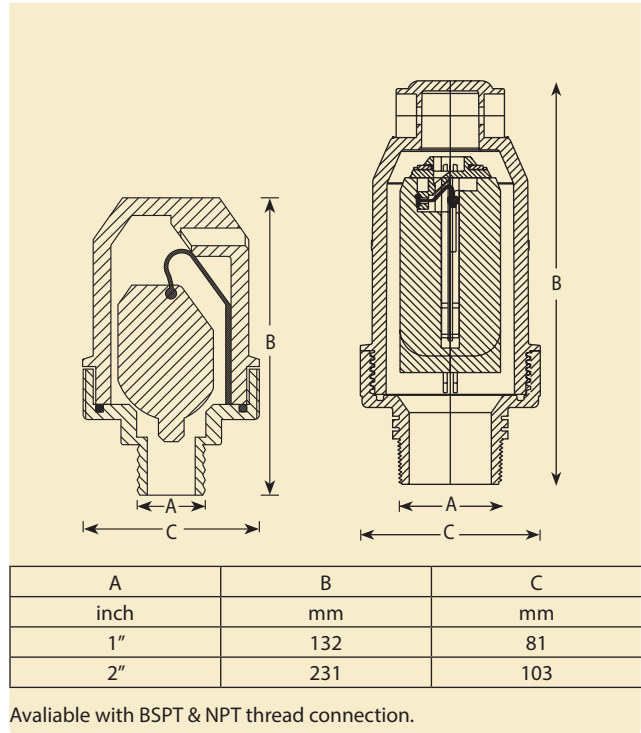
- Manufactured from high performance plastic material
- Excellent chemical & corrosion resistance
- Low frictional losses
- Available in 1" and 2" sizes
- Maximum operating pressure 10 kg/cm² (142 psi)
- On demand multiple Air Release Valve assembly can also be supplied.

Application

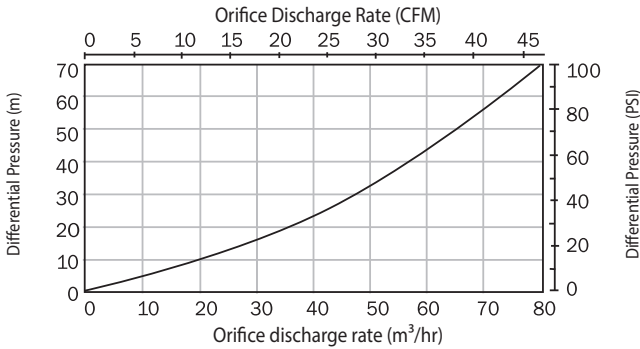
- Recommended in water supply distribution and long pipeline networks.
- Protects irrigation system and components.

Technical Specifications

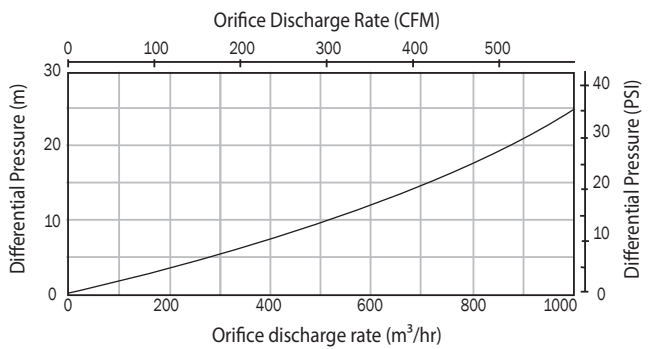
Type	Max. Operating Pressure		Min. sealing pressure	
	kg/cm ²	psi	kg/cm ²	psi
ARV-C - 1"	10	142	0.3	4
ARV-C - 2"	10	142	0.3	4



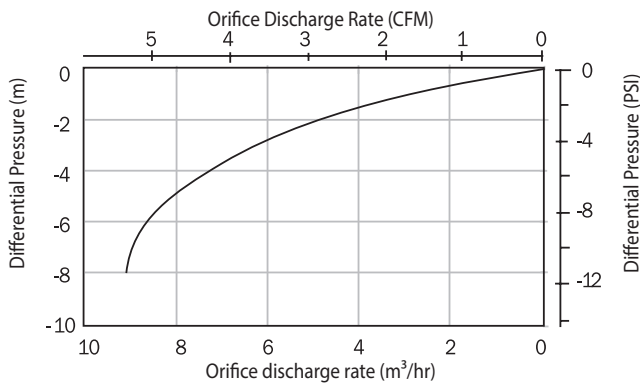
Performance Graph of Air Expulsion for Jain ARV-C® - 1"



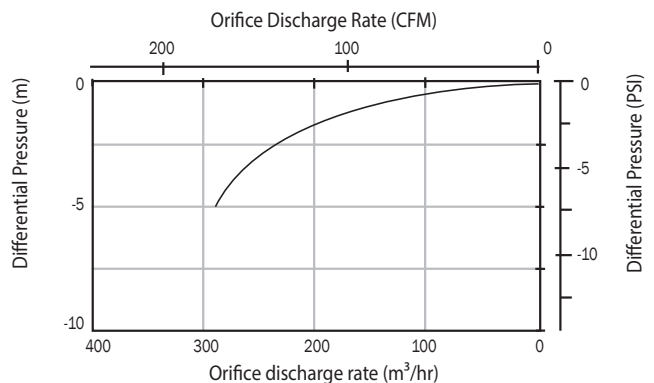
Performance Graph of Air Expulsion for Jain ARV-C® - 2"



Performance Graph of Vacuum for Jain ARV-C® - 1"



Performance Graph of Vacuum for Jain ARV-C® - 2"



Ordering Specifications - Regular Arv Valve

ARVC	XXX
	Size, inch
	100 - 1"; 200 - 2"

Example: ARVC100 - This code represents Jain ARV - C® of size 1" BSP male threaded connection.

Ordering Specifications - ARV Assembly

	No of ARV	Height in mtr
ARVC200	3	1.5mtr - 15
	4	2 mtr - 20
		2.5 mtr - 25
		3 mtr - 30

Example: ARVC200315 - This code represents Double Action ARV® 2"x 3 in nos with 1.5 mtr height.