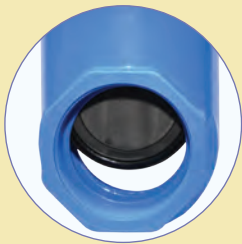


Gate Valve PL

Leak Proof Gate Control



Features & Benefits



Unique Gate Design

Unique sliding gate design provides leak proof control



Specially Designed Handle

Specially designed handle for slow opening & closure of valve with % indicator to avoid water hammer



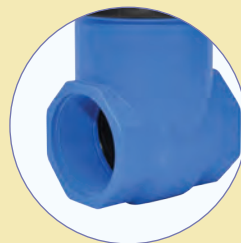
Equipped with Buttress Threaded Bonnet & Gland Nut

Equipped with buttress threaded Bonnet and Gland Nut for snap proof and better performance



Multi Start Brass Spindle

Square threaded multi start brass spindle for quick and trouble free performance



Various Options Available

Threaded, solvent weld available for connectivity with system



Innovative Compact Design

Innovative compact design with straight through flow with minimal pressure drop.

Gate Valve PL

Additional Features

- light weight for easier & economical installation
- Manufactured from high performance rigid uPVC / Nylon of compound
- Precise flow control possible
- Low frictional losses
- Excellent chemical & corrosion resistance
- Maximum operating pressure 10 kg/cm² (142 psi)
- Available in 50, 63, 75 & 90 mm (1½", 2", 2½" & 3") connection sizes.

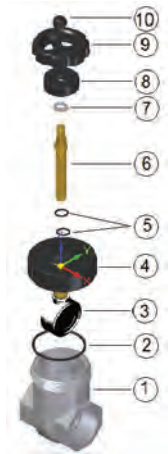
Applications

- Suitable for flow control in irrigation & water supply lines.

Technical Specifications

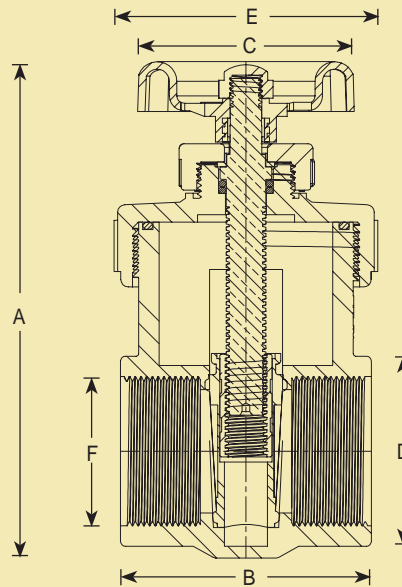
Nominal Diameter (mm)	Flow at 10 m (32.8ft) s		Max. Operating Pressure	
	lpm	gpm	kg/cm ²	psi
50	205.57	54.3	10	142
63	475.71	125.8	10	142
75	590.1	156.1	10	142
90	702.02	185.7	10	142

List of Spares



Sr.No.	Description	Material
1	Body	PVC
2	Body O Ring	Nitrile
3	Wedge	PP
4	Bonnet	Nylon GF
5	Spindle O Ring	Nitrile
6	Spindle	Brass
7	Gland Nut Washer	PP
8	Gland Nut	Nylon GF
9	Handle	Nylon GF
10	Handle Nut	Nylon GF

Dimensional Specification



Nominal Diameter (mm)	A (mm)	B (mm)	C (mm)	D (mm)	E (mm)	F (inch)
50	200	103	87	63	106	1 1/2"
63	200	101	87	76.5	106	2"
75	247	116	110	89	136	2 1/2"
90	272	129	110	101.5	136	3"

Ordering Specifications

Code	Description
GV112BSF	PVC Gate Valve 50mm (1.5")
GV200BSF	PVC Gate Valve 63mm (2")
GV250BSF	PVC Gate Valve 75mm (2.5")
GV300BSF	PVC Gate Valve 90mm (3")

